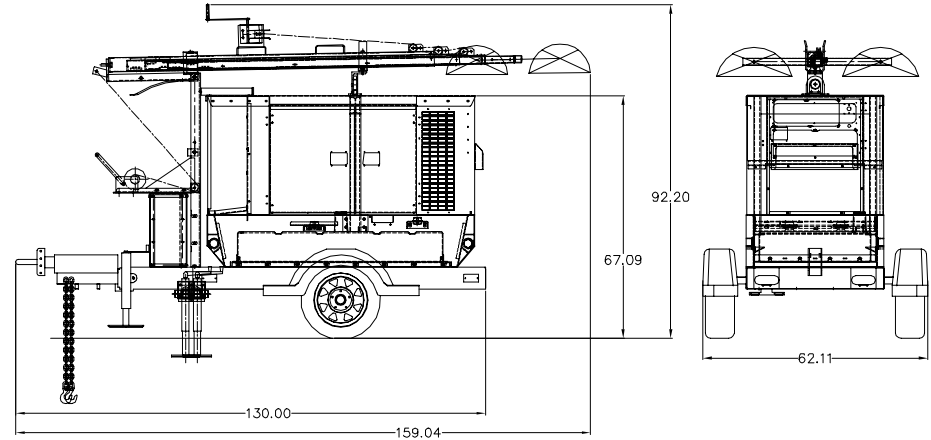
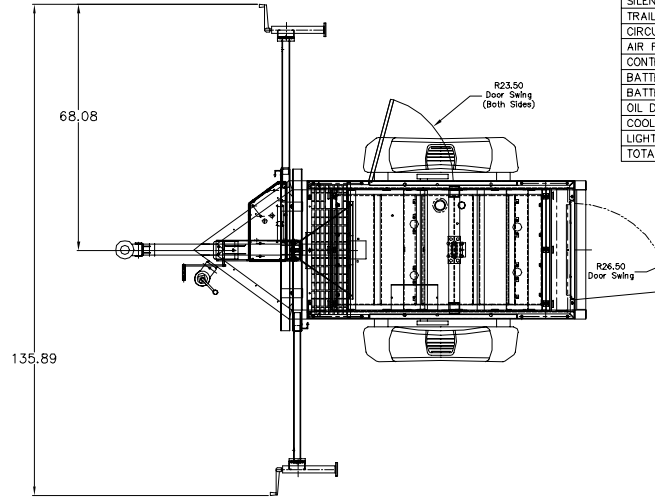
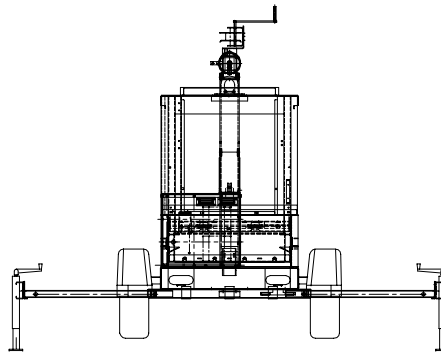
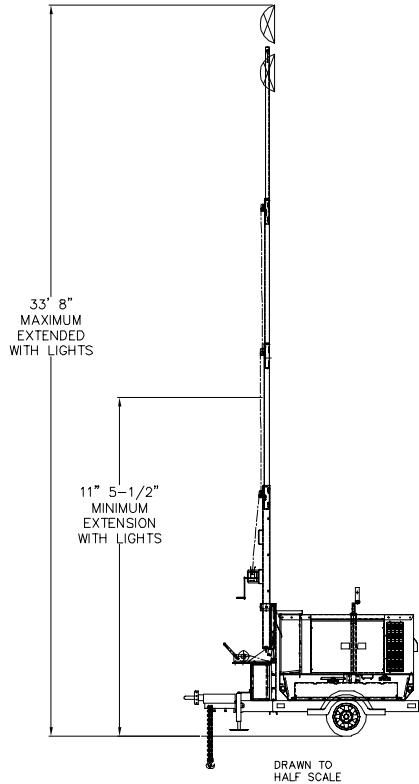


14.00001



CUSTOMER APPROVAL SIGNATURE	APPROVAL DATE	COMMENTS
INCLUDED FEATURES		
ENGINE: John Deere 4024TF270	EA0009C32	580# (Wet)
ALTERNATOR: Marathon 283PSL1707	GN0051A00	366
BASE: 74"x38"x14.50"	BA5004A14	MISC.
FUEL TANK: Integral S/W 55 Gallon, Plastic	TA0000A09	MISC. (Empty)
ENCLOSURE: 12 Ga Steel, Sound Attenuated, Red	EH5020A10R1B	400
RADIATOR: Unit Mounted 40°C Ambient	CY5001A26	MISC.
SILENCER PACKAGE: Donaldson	ET5002A56	MISC.
TRAILER: Single Axle, Hydraulic Brakes, 3500# GVW	TY0000A03	480
CIRCUIT BREAKER 1: Sq D 125A/600V/3P, HDL36125	CK0070C56	MISC.
AIR FILTER: Donaldson, Replaceable	AI5001A29	MISC.
CONTROL BOX: Digital Auto-Start, Intel-Lite w/Gauges	BE0365A40	MISC.
BATTERY: Group 24	BT0009A03	50
BATTERY RACK AND CABLES: w/Batt Switch	BTS001A21	MISC.
OIL DRAIN EXTENSION:	EAS100A53	MISC.
COOLANT DRAIN EXTENSION:	BOM	MISC.
LIGHT TOWER:	BOM	TBD
TOTAL WEIGHT:	>>>>>	TBD

NOTES: UNLESS OTHERWISE SPECIFIED

1) Dimensions In Inches.

REV. DESC: NEW	VERSION: 00	TDR: 000000430791
REV. LTR: -	REVISED: 08:13:29 05/29/2007	BY: PGRICLO
FILE: \PGA\00009\489		
MTL: -		

BALDOR ELECTRIC Co.

LIGHT TOWER, TS35

14.00001