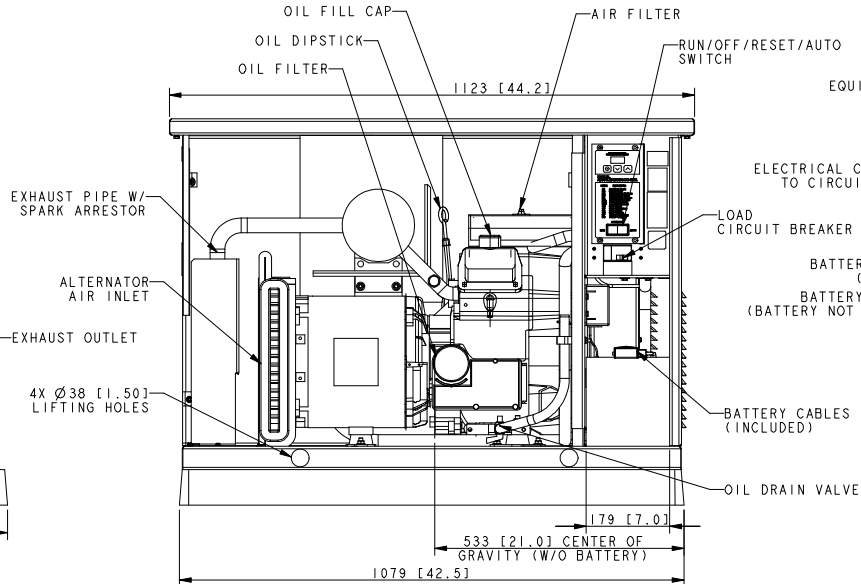
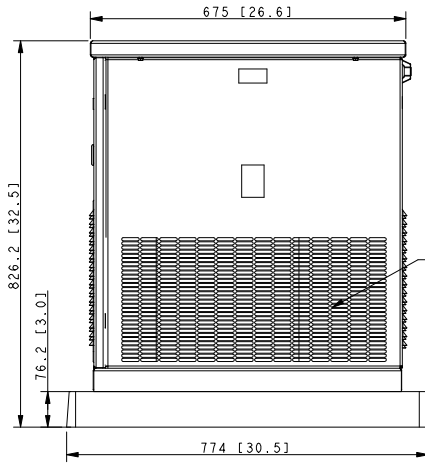
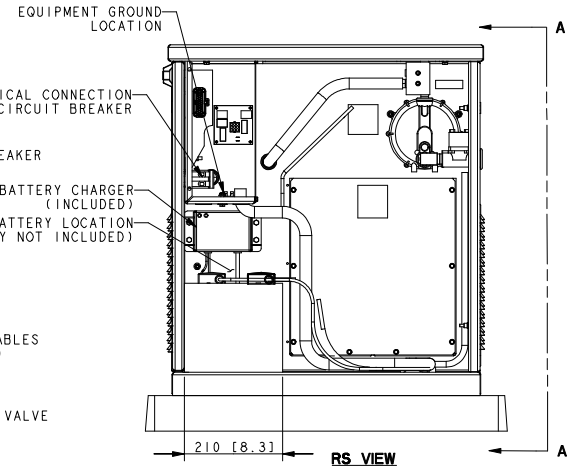


VIEW A-A



FRONT VIEW  
(DOOR & SIDE PANEL  
REMOVED TO SHOW DETAIL)

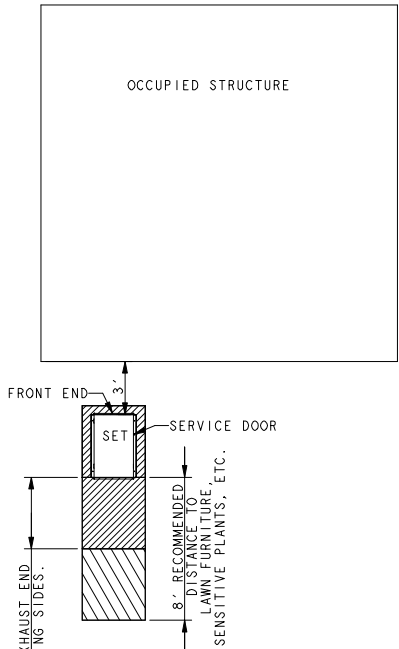
WEIGHT W/O BATTERY: 182Kg [400LBS]



RS VIEW  
(END PANEL REMOVED  
TO SHOW DETAIL)

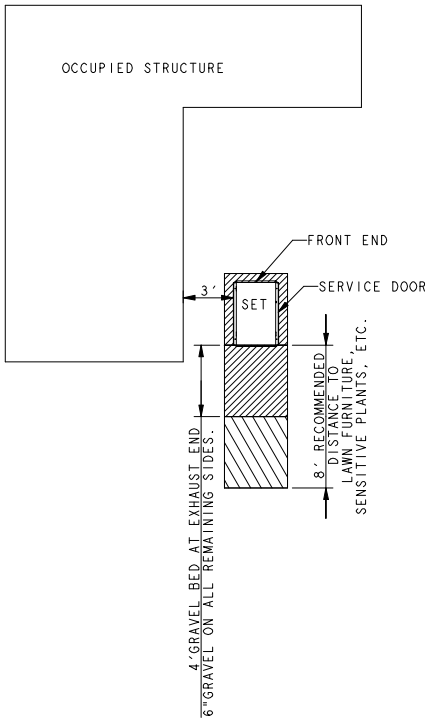
REV	DATE	REVISION	BY	UNLESS OTHERWISE SPECIFIED - 1) DIMENSIONS ARE IN MILLIMETERS 2) TOLERANCES ARE: 2.0X ± 0.25 2.5X ± 0.5 MRS ANGLES ± 0° 30' / MAX.
C	4-30-04	(D-4,5,6)*3 FOOTNOTE REMOVED; FRONT, DISCHARGE & SERVICE DOOR NOTE ADDED; (A-1) SHEET 2 ADDED. [72259]	BTW	
D	6-30-04	SEE SHEET 2 OF 2 [72691]	BTW	
APPROVALS				TITLE
DRAWN		DATE		
CHECKED		DATE		
APPROVED		DATE		

<b>KOHLER CO</b>		<b>METRIC PRO-E</b>	
POWER SYSTEMS, KOHLER, WI 53044 U.S.A.			
THIS DRAWING IN DESIGN AND DETAIL IS KOHLER CO. PROPERTY AND MUST NOT BE USED EXCEPT IN CONNECTION WITH KOHLER CO. WORK. ALL RIGHTS OF DESIGN OR INVENTION ARE RESERVED.			
SCALE .20X CAD NO.		SHEET 1 of 2	
DRAW NO. ADV-6823		D	



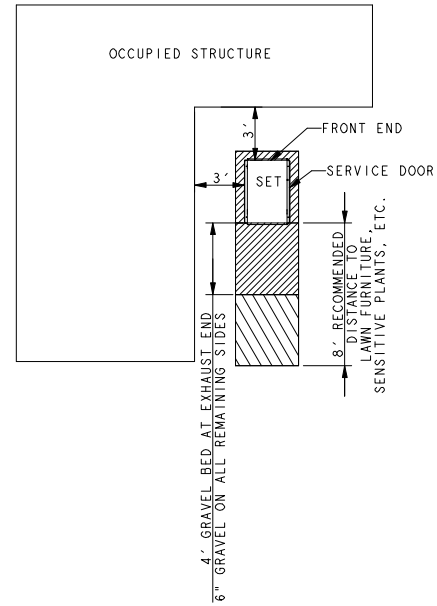
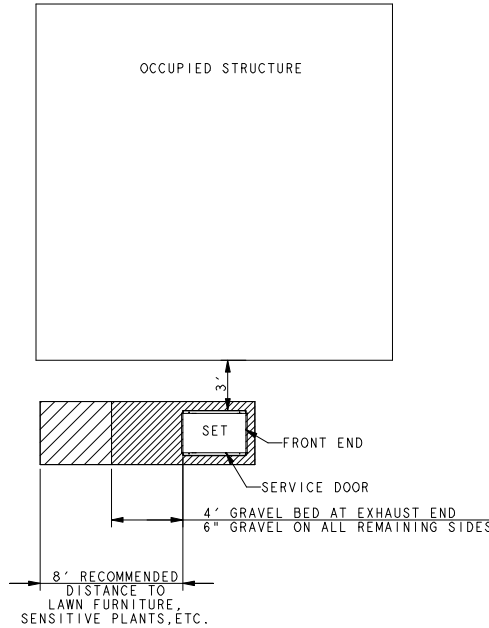
**PREFERRED**

- 1) EXHAUST IS COMPLETELY AIMED AWAY FROM THE STRUCTURE.
- 2) EXHAUST IS NOT DIRECTED AT PLAY AREAS, PATIOS OR OTHER AREAS WHERE PEOPLE CONGREGATE.
- 3) THE NEAREST WINDOW, VENT, DOOR OR SIMILAR STRUCTURE OPENING IS AT LEAST 5' FROM THE EXHAUST END OF THE SET.
- 4) SET HAS PROPER OFFSET FROM STRUCTURE.
- 5) WINDOWS & DOORS ON ADJACENT WALLS ARE CLOSED.
- 6) FURNACE AND OTHER SIMILAR INTAKES ARE AT LEAST 10' FROM EXHAUST END OF SET.
- 7) WEED BARRIER AND 3" THICK GRAVEL BASE LOCATED TO PREVENT GRASS & WEEDS FROM GROWING TOO CLOSE TO THE SET.
- 8) NO PLANTS, SHRUBS OR OTHER COMBUSTIBLES ALLOWED IN GRAVEL AREA.
- 9) SENSITIVE PLANTS, PATIO FURNITURE, ETC. ARE AT LEAST 8' FROM EXHAUST END OF SET.
- 10) REFER TO OWNERS MANUAL FOR OTHER INSTALLATION CONSTRAINTS.



**ACCEPTABLE**

- 1) EXHAUST IS AIMED AWAY OR PARALLEL TO STRUCTURE.
- 2) EXHAUST IS NOT DIRECTED AT PLAY AREAS, PATIOS OR OTHER AREAS WHERE PEOPLE CONGREGATE.
- 3) THE NEAREST WINDOW, VENT, DOOR OR SIMILAR STRUCTURE OPENING IS AT LEAST 5' FROM THE EXHAUST END OF THE SET.
- 4) SET HAS PROPER OFFSET FROM STRUCTURE.
- 5) WINDOWS & DOORS ON ADJACENT WALLS ARE CLOSED.
- 6) FURNACE AND OTHER SIMILAR INTAKES ARE AT LEAST 10' FROM EXHAUST END OF SET.
- 7) WEED BARRIER AND 3" THICK GRAVEL BASE LOCATED TO PREVENT GRASS & WEEDS FROM GROWING TOO CLOSE TO THE SET.
- 8) NO PLANTS, SHRUBS OR OTHER COMBUSTIBLES ALLOWED IN GRAVEL AREA.
- 9) SENSITIVE PLANTS, PATIO FURNITURE, ETC. ARE AT LEAST 8' FROM EXHAUST END OF SET.
- 10) REFER TO OWNERS MANUAL FOR OTHER INSTALLATION CONSTRAINTS.



REV	DATE	REVISION	BY	UNLESS OTHERWISE SPECIFIED - 1) DIMENSIONS ARE IN MILLIMETERS 2) XX ± 0.25 3) X ± 0.5 SURFACE FINISH ANGLES ± 0° 30' / MAX.
C	4-30-04	SEE SHEET 1; SHEET 2 ADDED. [72259]	MRS	
D	6-30-04	(B-7) PREFERRED NOTES UPDATED; (B-3) ACCEPTABLE NOTES UPDATED; [72691]	BTW	
APPROVALS				
DRAWN		MRS 4-30-04	DATE	
CHECKED		AJB 4-30-04	DATE	
APPROVED		AJB 4-30-04	DATE	

<b>KOHLER CO. METRIC PRO-E</b>	
POWER SYSTEMS, KOHLER, WI 53044 U.S.A.	
THIS DRAWING IN DESIGN AND DETAIL IS KOHLER CO. PROPERTY AND MUST NOT BE USED EXCEPT IN CONNECTION WITH KOHLER CO. WORK. ALL RIGHTS OF DESIGN OR INVENTION ARE RESERVED.	
<b>DIMENSION PRINT</b>	
SCALE .20X CAD NO.	SHEET 2 of 2
DWG NO. <b>ADV-6823</b>	