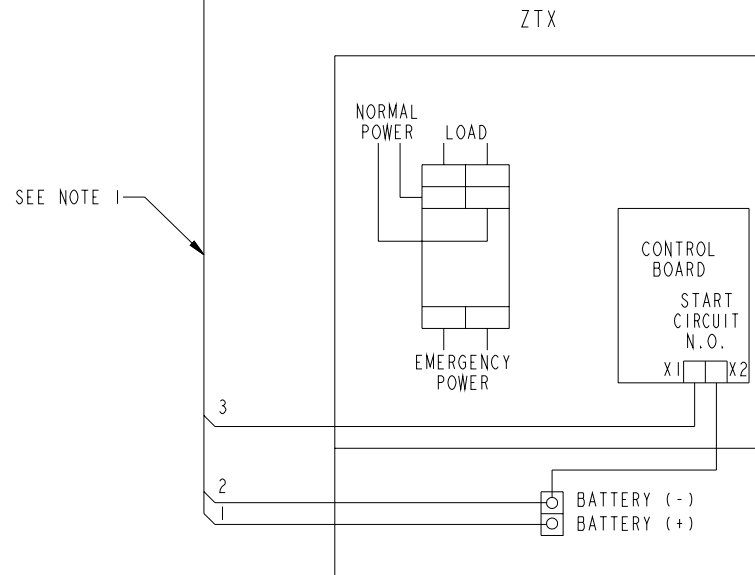
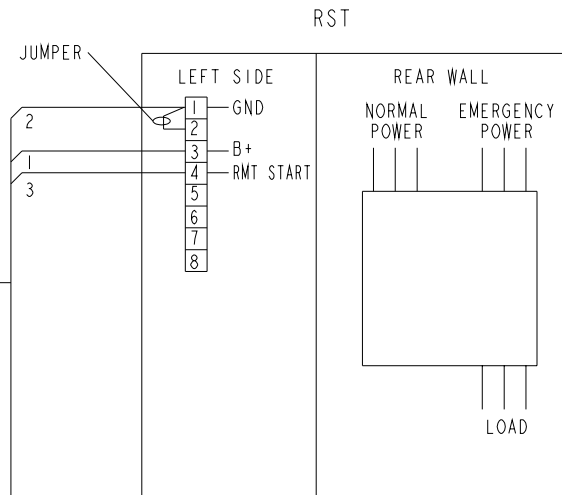
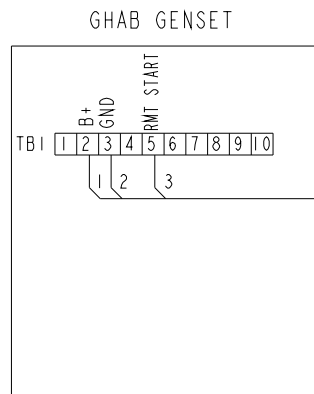


REL NO	LTR	NO	REVISION	ZONE	DR	CHKR	APPROVED	DATE
FRD10379	A	1	PRODUCTION RELEASE	-	DD	JM	MILLER	10-02-01



SEE NOTE 1

NOTE:  
1. SIZE WIRES AS FOLLOWS:

WIRE SIZE (AWG)	DISTANCE IN FEET (ONE WAY)
16	125
14	200
12	300
10	500

2. NORMAL/EMERGENCY LEADS ARE SIZED FOR LOAD AND LENGTH.

TOLERANCE UNLESS OTHERWISE SPECIFIED		QTY	ITEM	PART NO	PKT	DESCRIPTION OR MATERIAL	REF
mm			NAME			DATE	
Inch			DR			10-02-01	
.XX ± 0.08			CHGR BY			10-02-01	
.XX ± 0.38			MFG			10-02-01	
.XX ± 0.38			APPROVED			10-02-01	
.XX ± 0.38			FOR INTERPRETATION			10-02-01	
.XX ± 0.38			MODEL FIRST USED ON			10-02-01	
.XX ± 0.38			HOME_STNDBY			10-02-01	

**CUMMINS POWER GENERATION**  
4000 73RD AVE NE  
MINNEAPOLIS, MINNESOTA 55432

TITLE: **WD-INTERCONNECTION**

DWG NO: **0630-2252**

SHEET: **1 OF 1**