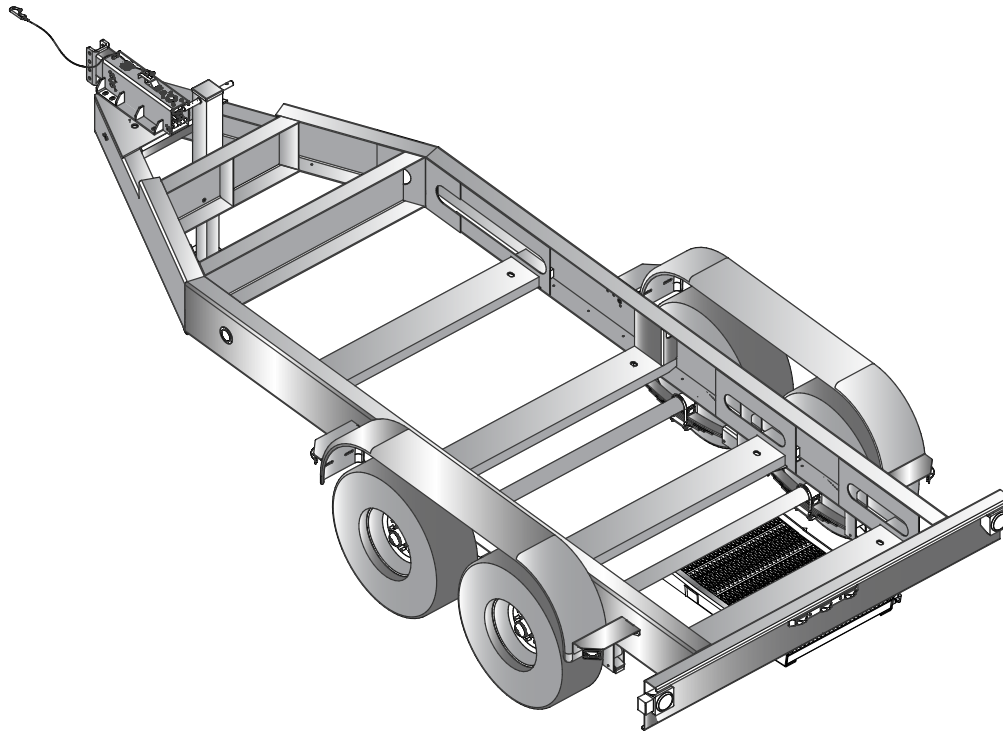




# TRLR220EV

## MQ POWER Tandem Axle Trailer



### TRLR220EV Technical Data

|   |  |
|---|--|
| Gross Vehicle Weight Rating (GVWR) — 16,000 lbs. (7,257.4 kg) | Tire Size — ST235/85R16 LR-G                 |
| Gross Axle Weight Rating (GAWR) — 8,000 lbs /3,628 kg (ea.)   | Wheel Bolt Pattern — 8 Lug on 6.5 in         |
| Actuator Rating — 20,000 (9.072 kg)                           | Tire Load Rating — 4,400 lbs /1,996 kg (ea.) |
| Coupler Rating — See coupler options on back page.            | Dimensions (LxWxH) — See back page           |

### STANDARD TRAILER EQUIPMENT

- Fits MQ Power Generator Model DCA220SSJU4F2
- Straight Tandem-axle Design with Leaf Spring Suspension
- Heavy-Duty Welded Steel Frame Construction
- Structural Channel for Generator Mounting and Support
- Replaceable, Bolt-on Hydraulic Brake Actuator
- 4-hole Channel Allows 3-position, Adjustable Coupler Height; 4-inches O/A
- Heavy-duty, Tongue Mounted, Drop-leg Jack (rated 10,000 lbs/4,536 kg lift)
- Replaceable, Bolt-on Steel Fenders and Brackets
- Rugged Textured Black Powder-Coated Frame, Channel, Actuator and Fenders
- D.O.T. Approved Tail Lamps, Stop Lamps, Turn Signal Lamps, Side Marker Lamps
- Weatherproof, Rubber Armored, 3-piece Trailer Light Wiring Harness
- Surge Hydraulic-actuated Drum Brakes (all axles)
- Hydraulic Dual-servo Drum Brakes with Backup Solenoid — 12-inch Cluster
- D.O.T. Steel Brake Lines, Brass Tees and Rubber Hydraulic Brake Hoses
- Heavy-Duty Rear Sliding Step with Spring-Loaded Locking Pin



# TRLR220EV

## MQ POWER Tandem Axle Trailer

### OPTIONAL TRAILER EQUIPMENT

- Bolt-on Electric Brake Coupler Plate with Electric-actuated Drum Brakes (all axles — self-adjusting brake actuators)
- Anti-Theft Wheel Lock
- Electric Breakaway Safety Device (electric-actuated brakes)
- Rear Stabilizer Stands
- Spare Tire with Locking Mount
- 24-inch Cable Storage Box

### Coupler Options

3" Pintle Eye  
25,000 lbs.

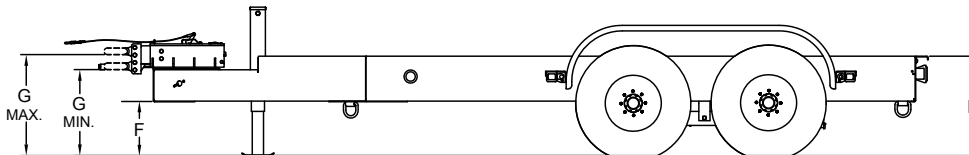
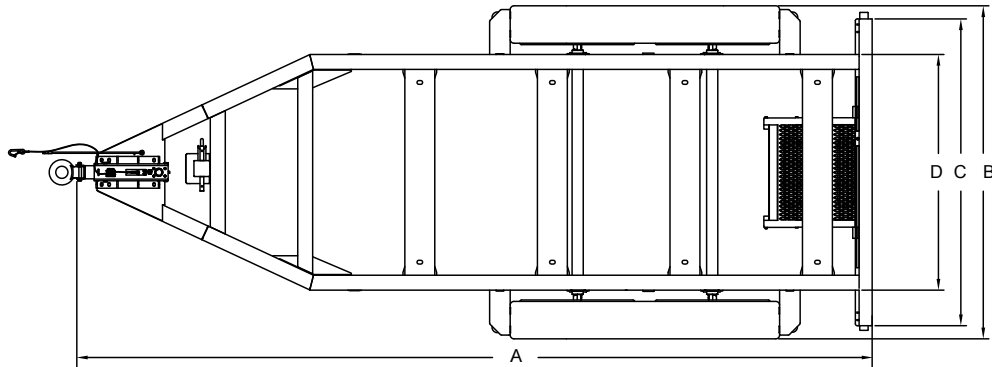


#EE36264

2-5/16" Ball Coupler  
20,000 lbs.



#EE56770



| Trailer Dimensions     |                     |                     |                     |                      |                      |                      |                      |
|------------------------|---------------------|---------------------|---------------------|----------------------|----------------------|----------------------|----------------------|
| A                      | B                   | C                   | D                   | E                    | F                    | G                    |                      |
|                        |                     |                     |                     |                      |                      | Min                  | Max                  |
| 212.9 in<br>(5,408 mm) | 89 in<br>(2,261 mm) | 82 in<br>(2,083 mm) | 63 in<br>(1,600 mm) | 26.58 in<br>(675 mm) | 19.56 in<br>(496 mm) | 23.01 in<br>(584 mm) | 27.01 in<br>(686 mm) |

| Trailer Weight        |
|-----------------------|
| 2,404 lbs. (1596 kg)* |

\* Weight is approximate

Your Multiquip dealer is:

