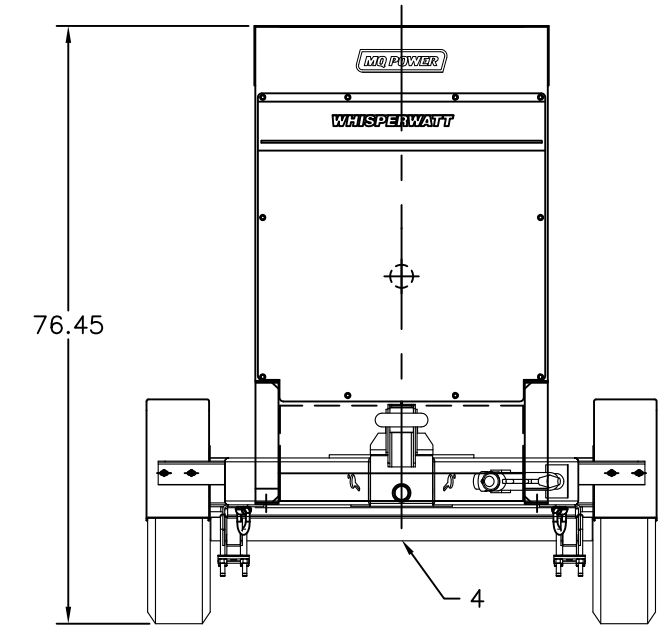
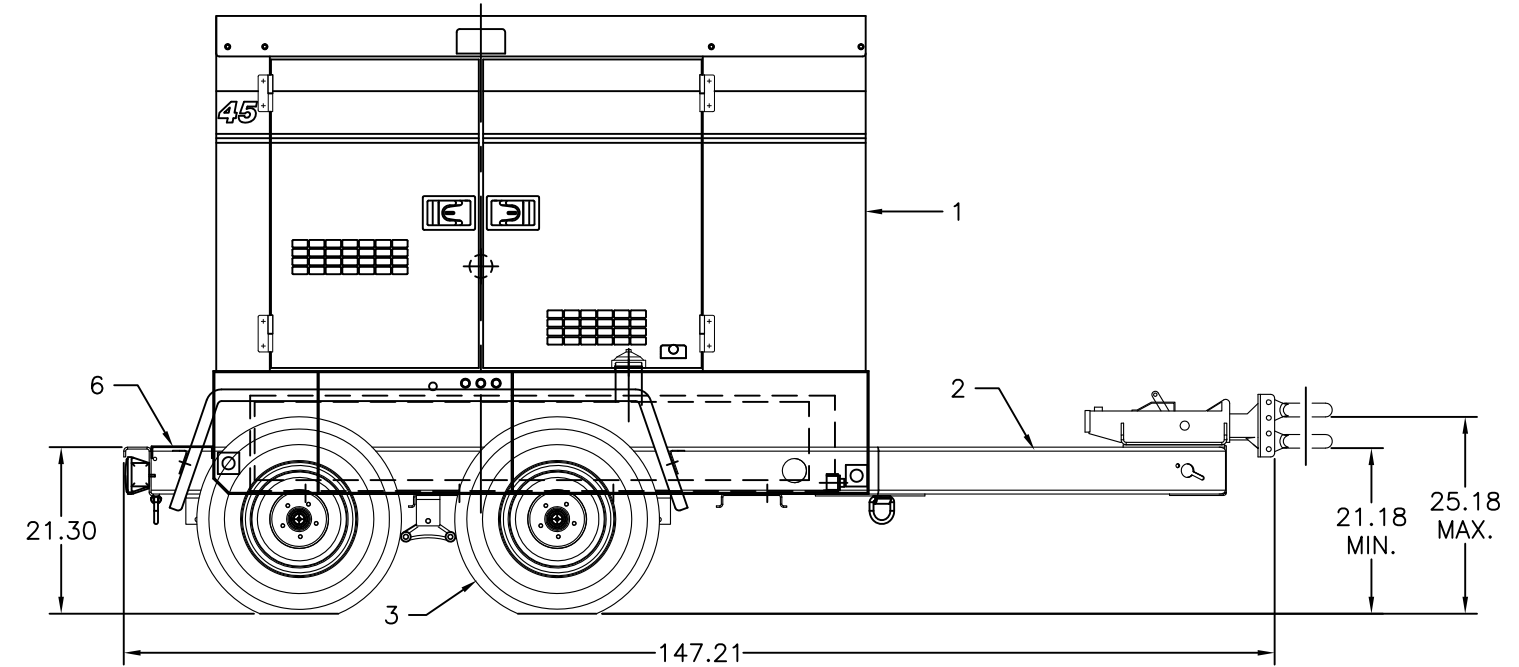
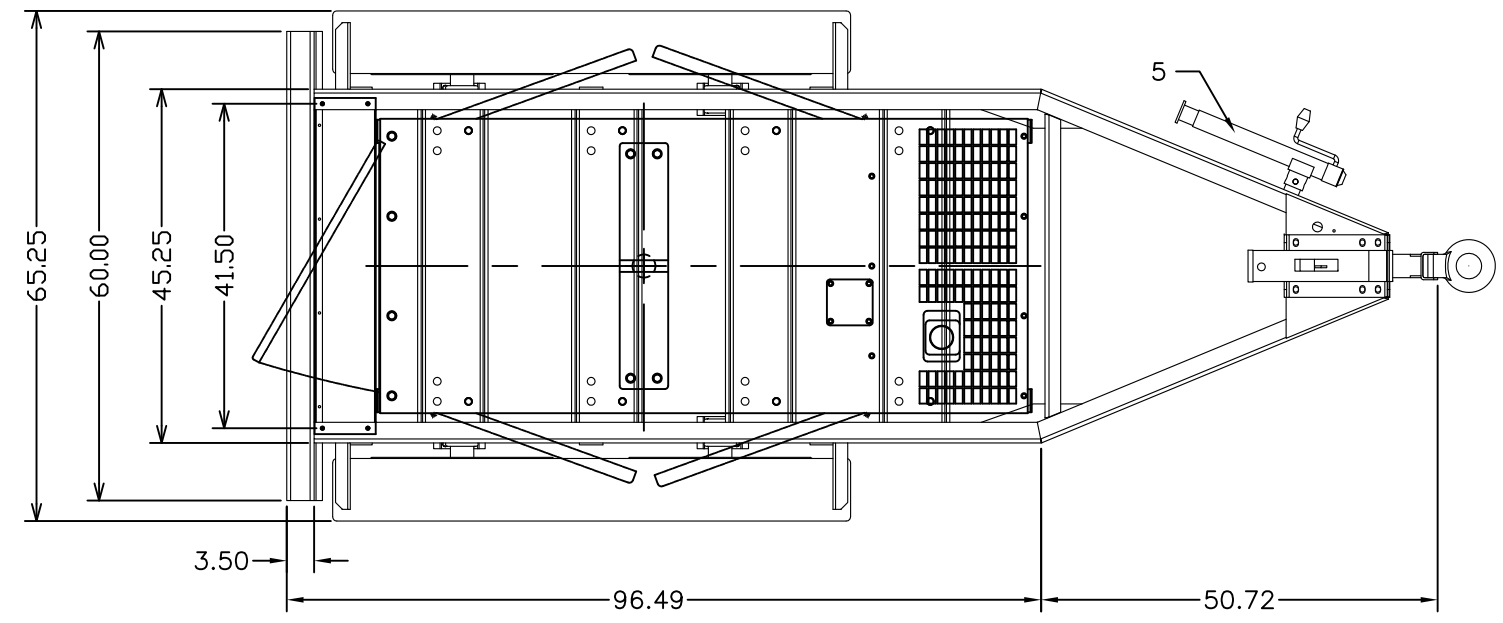


THIS DRAWING AND THE DATA DISCLOSED HEREIN OR HEREWITH IS CONFIDENTIAL AND PROPRIETARY AND IS NOT TO BE REPRODUCED, USED, OR DISCLOSED IN WHOLE OR IN PART TO ANYONE WITHOUT THE EXPRESSED WRITTEN PERMISSION OF MULTIQUIP COMPANY.

PART LISTS				
ITEM	PART NUMBER	QTY	DESCRIPTION	MANUFACTURE
1	DCA45SSIU4F (TIER 4F)	1	45KVA GENSET 45SSIU4F GENSET WEIGHT (WET): 2,974lbs	MQ POWER
2	TRLR45H	1	TRAILER (MODEL: TRLR45H) TRAILER WT. ONLY: 1,056lbs G.V.W.R.: 7,000lbs TONGUE WT.: OVERALL DIMENSION: 148L X 66W X 77H	MQ POWER
3	EE44304	4	TIRE ST205/75D14 "C", 1,760# RATING WHEEL 14" X 6"	TREDIT TIRE
4	EE55968	2	HYDRAULIC AXLE, 3,500lbs RATING	DEXTER AXLE
5	EE43517	1	3K JACK CEQUENT	CEQUENT
6	EE57100	1	COVER, .1 THK TREAD DIAMOND PLATE	
7		1	SEE HITCH OPTION TABLE	



HITCH OPTIONS	
3" ADJUSTABLE EYE 20,000lbs (EE36264 - PRIMED)	
2" BALL COUPLER 10,000lbs (EE43254 - PLATED)	
2-5/16" BALL COUPLER 14,000lbs (EE43253 - PLATED)	

UNLESS OTHERWISE SPECIFIED DIMENSIONS ARE IN INCHES TOLERANCES ARE :		CUSTOMER		MQ POWER TEL: (310) 537-3700/FAX: (310) 632-2656 18910 WILMINGTON AVENUE CARSON, CA 90746	
FRACTIONS	DECIMALS	ANGLES	JOB NO.		
±	.XX ±	±			
	.XXX ±				
DERIVED FROM		MATERIAL		DRAWN	
REV	DATE	FINISH		CHECKED	
02	10/02/13	DO NOT SCALE DRAWING		J. TRAN 03/20/13	
CAD CODE 201831				SALESMAN	
				DATE	
				03/20/13	
				SCALE	
				1/12	
				DWG. NO. 201831	
				SHEET 1 / 1	

DWG. NO. 201831 02 REVISION