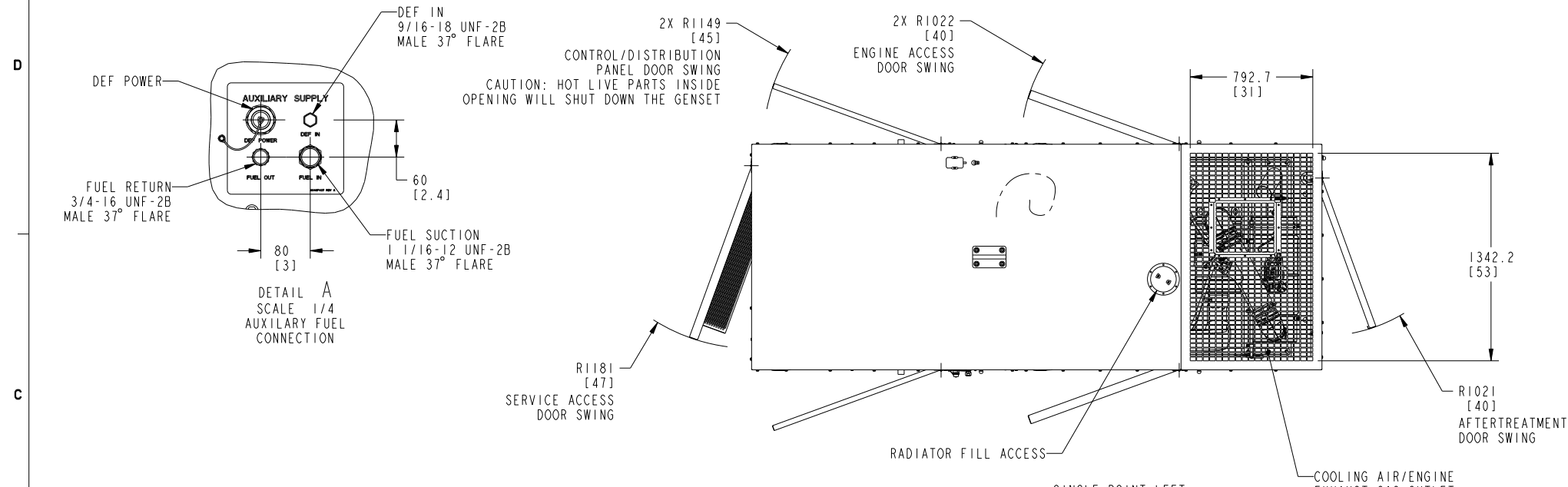
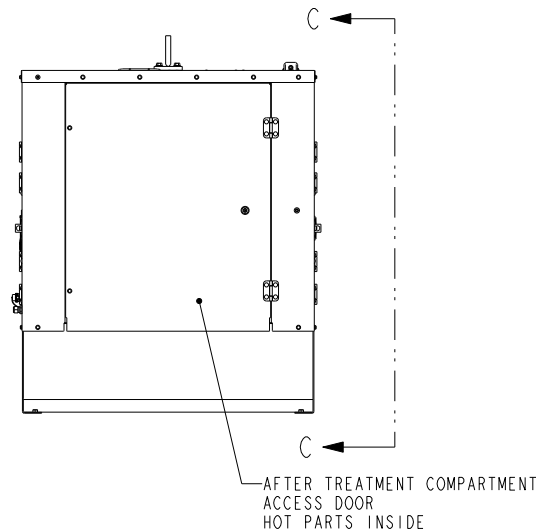
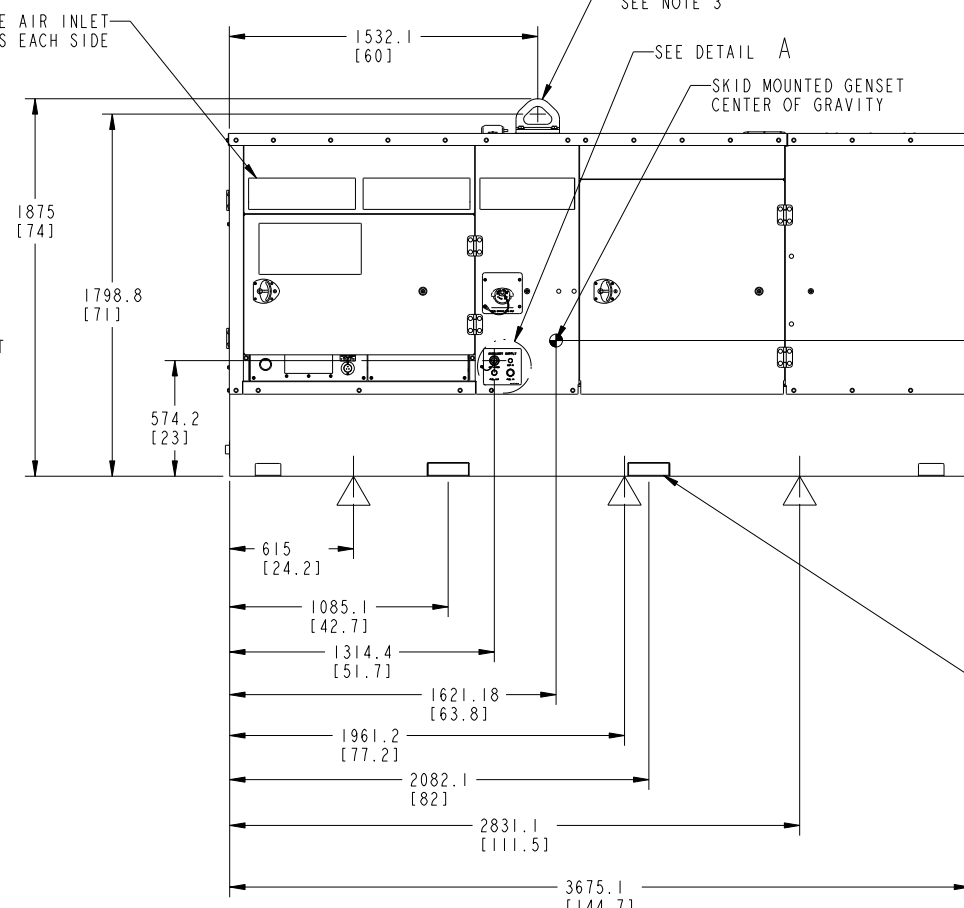
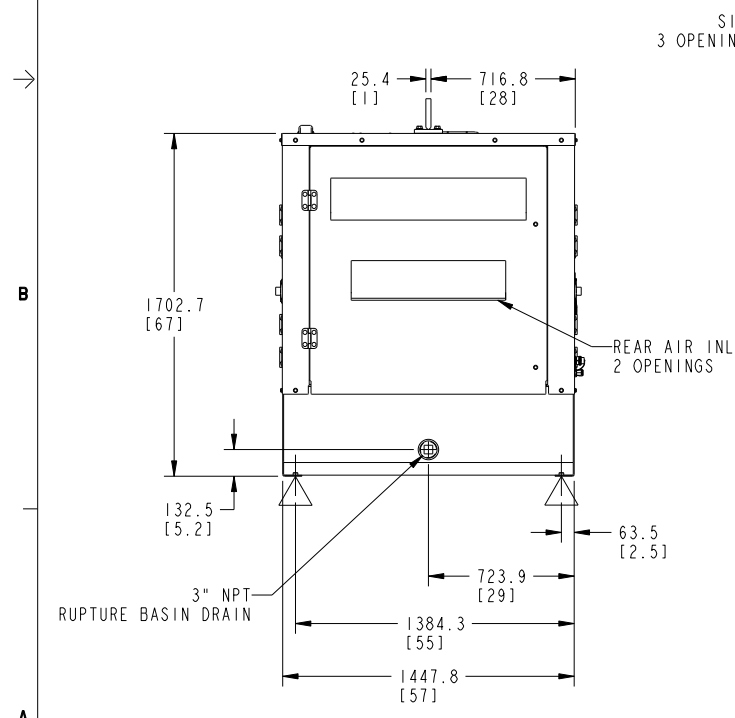


REL NO	LTR	NO	REVISION	OWN	CAD	APVD	DATE
ECO-142154	A	1	PRODUCTION RELEASE	JNR	MJK	E. SUTTERLIN	27MAR14



- NOTES:
- DIMENSIONS SHOWN IN [] ARE INCHES.
 - 5/8-11 UNC-2B INCH THREADED HOLES MARKED BY \triangle ARE PROVISIONS FOR SECURING TO A MOUNTING SURFACE.
 - SINGLE POINT LIFT WILL ACCOMMODATE A ϕ 76.2 [3] LIFTING DEVICE.
 - FLUID CAPACITIES:
ENGINE OIL: 15 LITERS (15.9 QUARTS)
COOLANT: 34.4 LITERS (9.1 GALLONS)
FUEL TANK: 939 LITERS (248 GALLONS)
 - EXHAUST OUTLET DIAMETER: 101.6 [4]
 - GENSET MASS:

	C150		C200	
	WITH FUEL	WITHOUT FUEL	WITH FUEL	WITHOUT FUEL
SKID MOUNTED	3110 KG [6860 LB]	3020 KG [6660 LB]	3310 KG [7300 LB]	3220 KG [7100 LB]
TRAILER MOUNTED	3840 KG [8470 LB]	3750 KG [8270 LB]	4040 KG [8910 LB]	3950 KG [8710 LB]

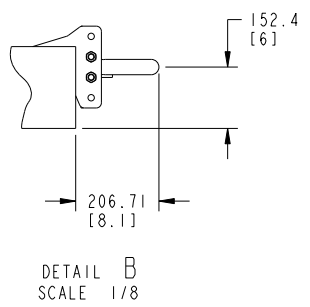
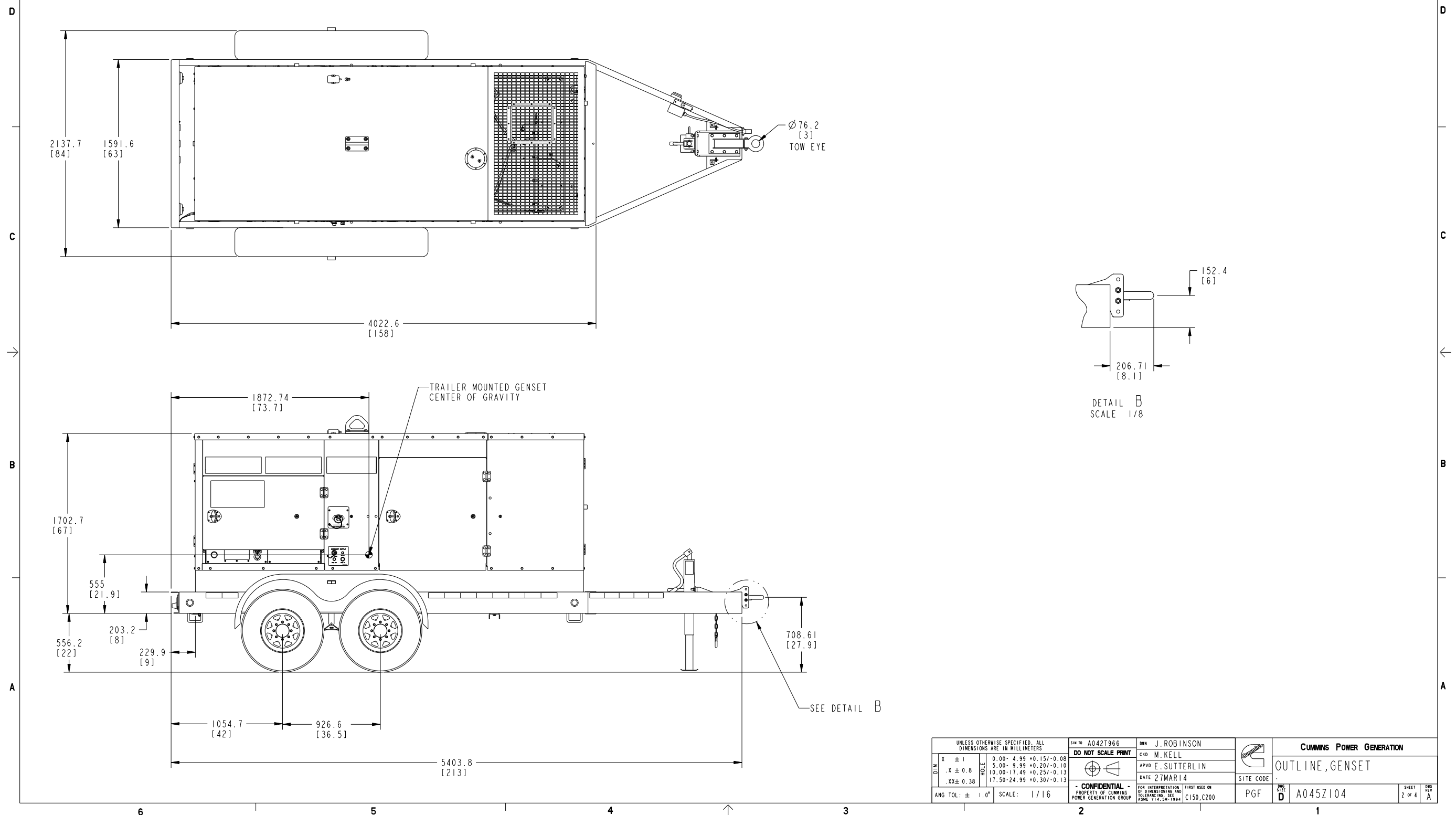


SKID MOUNTED GENSET (NO TRAILER)

UNLESS OTHERWISE SPECIFIED, ALL DIMENSIONS ARE IN MILLIMETERS		SIM 10 A042T966	OWN J. ROBINSON		CUMMINS POWER GENERATION	
DO NOT SCALE PRINT		DO NOT SCALE PRINT	CAD M. KELL		OUTLINE, GENSET	
X ± 1	0.00- 4.99 +0.15/-0.08		APVD E. SUTTERLIN	SITE CODE	PGF	SHEET 1 OF 4
.X ± 0.8	5.00- 9.99 +0.20/-0.10		DATE 27MAR14			
.XX ± 0.38	10.00-17.49 +0.25/-0.13		FIRST USED ON C150, C200			
ANG TOL: ± 1.0°	17.50-24.99 +0.30/-0.13	SCALE: 1/16	PROPERTY OF CUMMINS POWER GENERATION GROUP	PGF	REV D	A045Z104

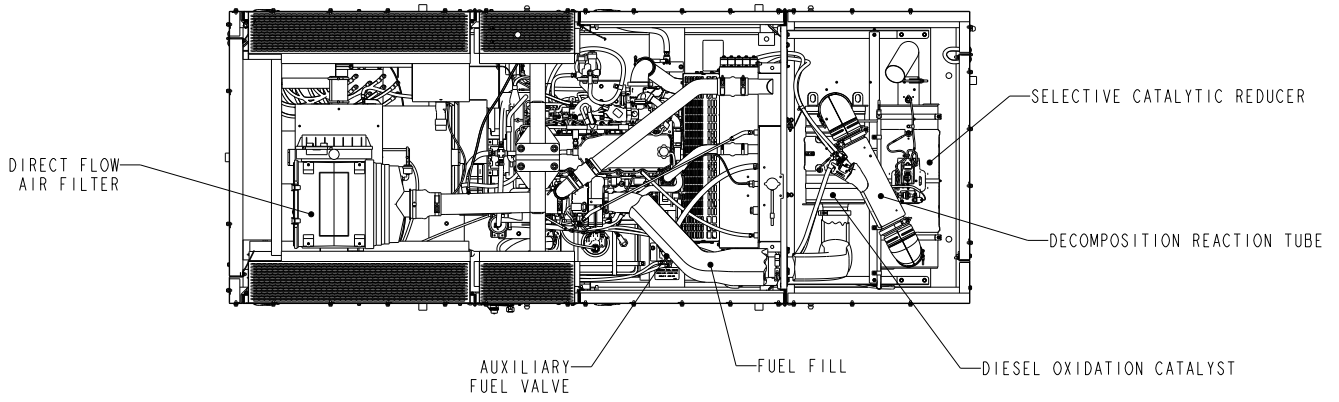
PTC® Creo® Parametric

REL NO	LTR	NO	REVISION	DRN	CAD	APVD	DATE
ECO-142154	A	1	PRODUCTION RELEASE	JNR	MJK	E. SUTTERLIN	27MAR14

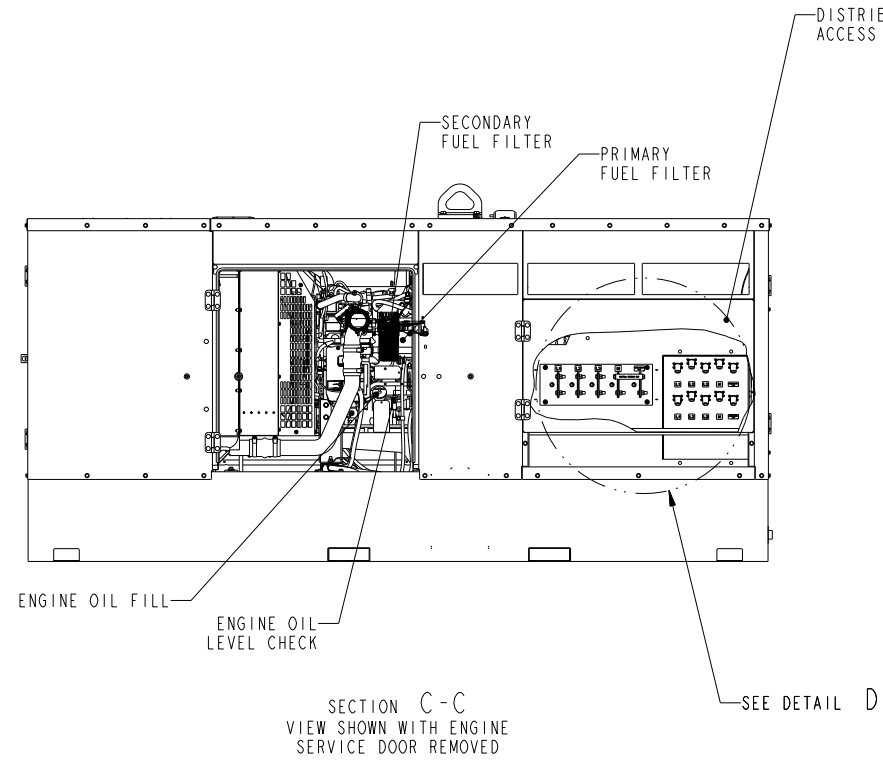


UNLESS OTHERWISE SPECIFIED, ALL DIMENSIONS ARE IN MILLIMETERS		SIM 10 A0421966	DRN J. ROBINSON		CUMMINS POWER GENERATION	
DO NOT SCALE PRINT		CAD M. KELL	APVD E. SUTTERLIN		OUTLINE, GENSET	
CH	TOL	0.00-4.99 +0.15/-0.08	DATE 27MAR14	SITE CODE		
X	± 1	5.00-9.99 +0.20/-0.10				
.X	± 0.8	10.00-17.49 +0.25/-0.13				
.XX	± 0.38	17.50-24.99 +0.30/-0.13				
ANG TOL: ± 1.0°		SCALE: 1/16	PROPERTY OF CUMMINS POWER GENERATION GROUP	PGF	DATE 27MAR14	SHEET 2 OF 4
			FOR INTERPRETATION OF DIMENSIONS AND TOLERANCING, SEE ASME Y14.5M-1994	SIZE D	A045Z104	REV A

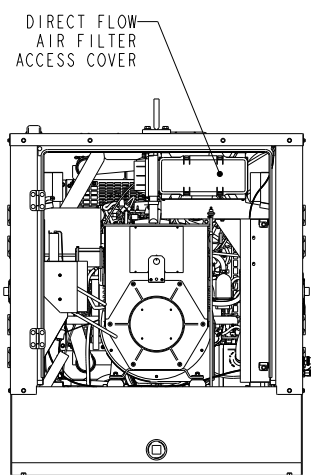
REL NO	LTR	NO	REVISION	DWN	CAD	APVD	DATE
ECO-142154	A	1	PRODUCTION RELEASE	JNR	MJK	E. SUTTERLIN	27MAR14



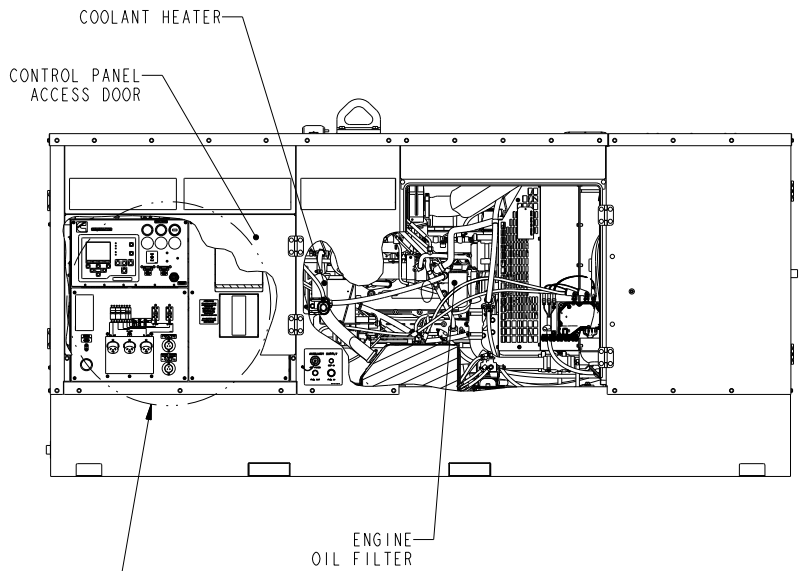
VIEW SHOWN WITH ENCLOSURE ROOF REMOVED



SECTION C-C
VIEW SHOWN WITH ENGINE SERVICE DOOR REMOVED



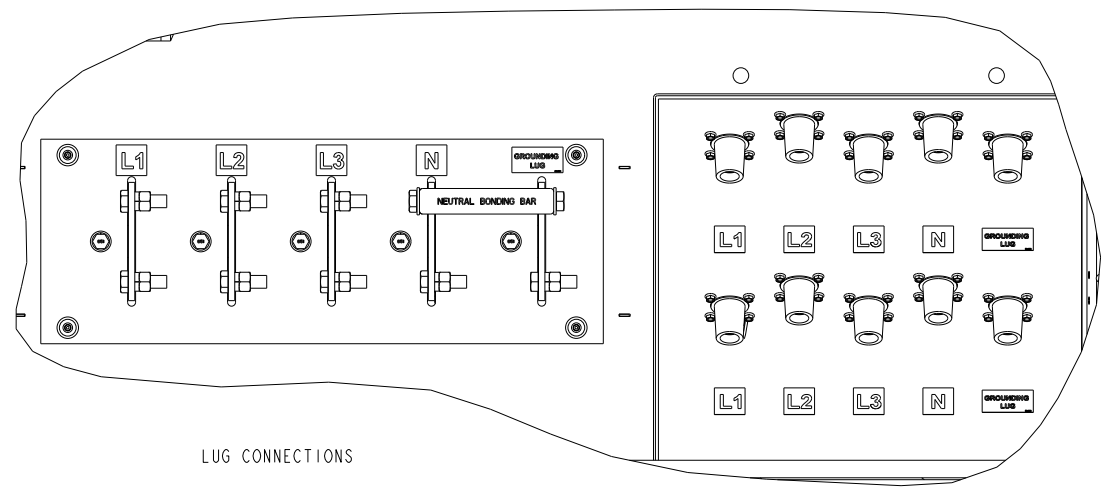
VIEW SHOWN WITH SERVICE ACCESS DOOR REMOVED



VIEW SHOWN WITH ENGINE SERVICE DOOR REMOVED

UNLESS OTHERWISE SPECIFIED, ALL DIMENSIONS ARE IN MILLIMETERS		SIM 10 A042T966	DWN J. ROBINSON		CUMMINS POWER GENERATION																				
DO NOT SCALE PRINT			CAD M. KELL		OUTLINE, GENSET																				
<table border="1"> <tr> <td>CH</td> <td></td> <td></td> <td></td> </tr> <tr> <td>X</td> <td>± 1</td> <td>0.00- 4.99</td> <td>+0.15/-0.08</td> </tr> <tr> <td>.X</td> <td>± 0.8</td> <td>5.00- 9.99</td> <td>+0.20/-0.10</td> </tr> <tr> <td>.XX</td> <td>± 0.38</td> <td>10.00-17.49</td> <td>+0.25/-0.13</td> </tr> <tr> <td></td> <td></td> <td>17.50-24.99</td> <td>+0.30/-0.13</td> </tr> </table>	CH				X	± 1	0.00- 4.99	+0.15/-0.08	.X	± 0.8	5.00- 9.99	+0.20/-0.10	.XX	± 0.38	10.00-17.49	+0.25/-0.13			17.50-24.99	+0.30/-0.13	DATE 27MAR14	SITE CODE			
CH																									
X	± 1	0.00- 4.99	+0.15/-0.08																						
.X	± 0.8	5.00- 9.99	+0.20/-0.10																						
.XX	± 0.38	10.00-17.49	+0.25/-0.13																						
		17.50-24.99	+0.30/-0.13																						
ANG TOL: ± 1.0°	SCALE: 1/16	<table border="1"> <tr> <td>PROPERTY OF CUMMINS POWER GENERATION GROUP</td> <td>FOR INTERPRETATION OF DIMENSIONS AND TOLERANCING, SEE ASME Y14.5M-1994</td> <td>FIRST USED ON C150, C200</td> </tr> </table>	PROPERTY OF CUMMINS POWER GENERATION GROUP	FOR INTERPRETATION OF DIMENSIONS AND TOLERANCING, SEE ASME Y14.5M-1994	FIRST USED ON C150, C200	PGF	D	A045Z104	<table border="1"> <tr> <td>SHEET 3 OF 4</td> <td>REV A</td> </tr> </table>	SHEET 3 OF 4	REV A														
PROPERTY OF CUMMINS POWER GENERATION GROUP	FOR INTERPRETATION OF DIMENSIONS AND TOLERANCING, SEE ASME Y14.5M-1994	FIRST USED ON C150, C200																							
SHEET 3 OF 4	REV A																								

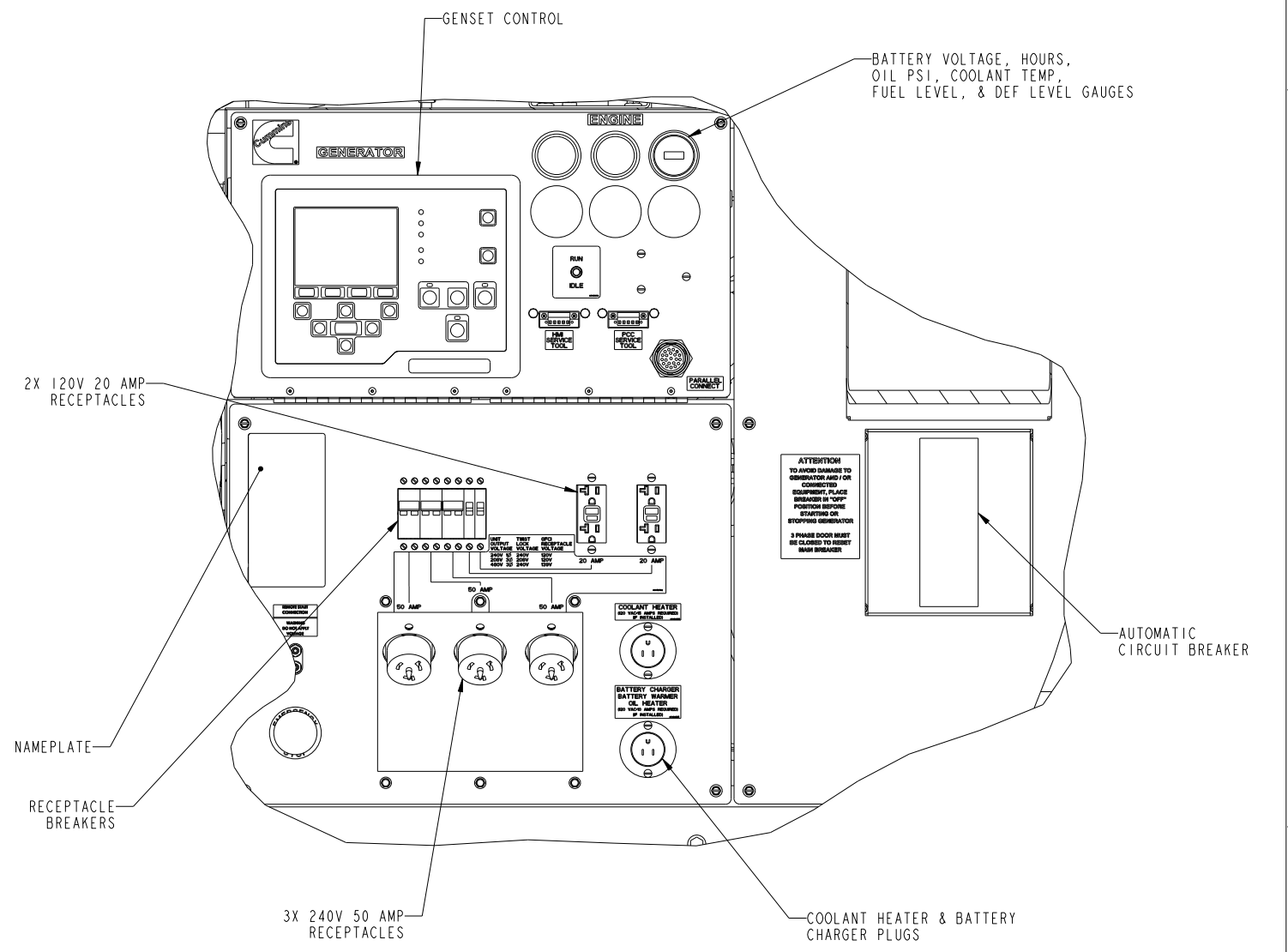
REL NO	LTR	NO	REVISION	ENR	CAD	APVD	DATE
ECO-142154	A	1	PRODUCTION RELEASE	JNR	MJB	SUTTERL	27MAR14



LUG CONNECTIONS

CAM LOCK CONNECTIONS

DETAIL D
SCALE 5/16
DISTRIBUTION PANEL
LOAD TERMINAL
CONNECTIONS



2X 120V 20 AMP RECEPTACLES

NAMEPLATE

RECEPTACLE BREAKERS

3X 240V 50 AMP RECEPTACLES

GENSET CONTROL

BATTERY VOLTAGE, HOURS, OIL PSI, COOLANT TEMP, FUEL LEVEL, & DEF LEVEL GAUGES

ATTENTION
TO AVOID DAMAGE TO
GENERATOR AND/OR
CONNECTED
EQUIPMENT, PLACE
BREAKERS IN "OFF"
POSITION BEFORE
STARTING OR
STOPPING GENERATOR
3 PHASE DOOR MUST
BE CLOSED TO RESET
MAIN BREAKER

AUTOMATIC CIRCUIT BREAKER

COOLANT HEATER & BATTERY CHARGER PLUGS

DETAIL E
SCALE 5/16
USER INTERFACE

UNLESS OTHERWISE SPECIFIED, ALL DIMENSIONS ARE IN MILLIMETERS		SIM 10 A042T966	ENR J. ROBINSON		CUMMINS POWER GENERATION	
DO NOT SCALE PRINT		DO NOT SCALE PRINT	CAD M. KELL		OUTLINE, GENSET	
CH	X ± 1	0.00- 4.99 +0.15/-0.08	APVD E. SUTTERLIN		SITE CODE	SHEET 4 OF 4
	.X ± 0.8	5.00- 9.99 +0.20/-0.10	DATE 27MAR14			
	.XX ± 0.38	10.00-17.49 +0.25/-0.13				
		17.50-24.99 +0.30/-0.13				
ANG TOL:	± 1.0°	SCALE: 1/16	FOR INTERPRETATION OF DIMENSIONS AND TOLERANCING, SEE ASME Y14.5M-1994	PGF	DATE	REV A
			PROPERTY OF CUMMINS POWER GENERATION GROUP	DATE	REV	
			FIRST USED ON C150, C200	D	A045Z104	