



Parts Manual

Generator Set for Home Standby

C13N6H (Spec A)
C17N6H (Spec A)
C20N6H (Spec A)
C20N6HC (Spec A)

Table of Contents

Description	Page
Safety Precautions	2
About This Manual	3
Quick Serve Online (QSOL)	3
Related Literature	3
Model Identification	4
Abbreviations	5
Labels	6
Consumables	7
Paint and Thread Sealant	7
Engine	8
Engine Accessories	8
Engine – Service Parts	9
Silencer	10
Exhaust Manifold	11
Fuel Supply	12
Governor	16
Chassis	17
Alternator	18
Enclosure	20
Control Panel	27
Circuit Breaker Box	28
Fan	30
Battery Tray	31
Battery Charger	32
Generator Set Harness	35
Accessory Kits	39

Safety Precautions

The following symbols are used in Cummins Inc. manuals to alert users to the potentially dangerous conditions relating to maintenance of equipment and replacement of parts. Please read and observe.



This symbol warns of immediate hazards which will result in severe personal injury or death.



This symbol refers to a hazard or unsafe practice which can result in severe personal injury or death.



This symbol refers to a hazard or unsafe practice which can result in severe personal injury or product or property damage.

Product Safety Precautions

Before operating the generator set, read the manuals and become familiar with them and the equipment. Safe and efficient operation can be achieved only if the equipment is properly operated and maintained. Many accidents are caused by failure to follow fundamental rules and precautions.



Note:

It is in the Operator's interest to read and understand all Health and Safety information together with all Warnings and Cautions contained within the documentation relevant to the generator set, its operation and daily maintenance.



Improper operation and maintenance can lead to severe personal injury or loss of life and property by fire, electrocution, mechanical breakdown or exhaust gas asphyxiation. Read and follow all safety precautions in the health and safety manual 0908-0110.



Service and repair of Cummins Inc. equipment must be performed by trained, experienced personnel only. Improper service, repair or replacement of parts may result in damage to equipment & property, severe personal injury or death. Do not use this catalog as a guide to servicing your equipment. Read and follow the IMPORTANT SAFETY INSTRUCTIONS in the Service Manual appropriate for the equipment you are working on.



Contact with USED ENGINE OILS has been identified by a United States federal agency and some USA state agencies as causing CANCER or REPRODUCTIVE TOXICITY. When checking or changing engine oils take all necessary precautions not to ingest, breathe the fumes or contact the used oil.



Contact with ASBESTOS has been identified by a United States federal agency and some USA state agencies as causing CANCER or REPRODUCTIVE TOXICITY. When handling engine gaskets take all necessary precautions not to ingest, breathe or contact the dust from the gaskets! Use adequate ventilation and wear protective gloves, masks and clothing!



Contact with BENZINE and LEAD, found in gasoline, fuel additives and solvents has been identified by a United States federal agency and some USA state agencies as causing CANCER or REPRODUCTIVE TOXICITY. When checking, draining or adding gasoline and fuel additives or using solvents take all necessary precautions not to ingest, breathe the fumes or contact the liquids. Use adequate ventilation and wear protective gloves, masks and protective clothing!

About This Manual

This manual applies to the generator models C13N6H – C20N6HC. Parts illustrations are arranged in groups relating to their position and function on the generator set. Each part illustrated is identified by a reference number corresponding to the list of part numbers in the accompanying table.

Engine and alternator parts that have been modified or added by Cummins Inc. are identified in this manual. Contact your nearest authorized distributor for assistance in ordering replacement parts. All other replacement parts must be ordered from the engine/alternator manufacturer by referring to the item nameplate and supplying all available information.

Cummins Inc. Generator Model	Engine Model
C13N6H	LC2V90FD
C17N6H	LC2V90FD
C20N6H	LC2V90FD
C20N6HC	LC2V90FD

Generator Set Data Table

Model	Electrical Data				Battery Voltage
	Watts	Hertz	Wire	Phase	
C13N6H	13,000	60	3, 4	1, 3	12VDC
C17N6H	17,000	60	3, 4	1, 3	12VDC
C20N6H	20,000	60	3, 4	1, 3	12VDC
C20N6HC	20,000	60	3, 4	1, 3	12VDC

Quick Serve Online (QSOL)

Documentation and operator manuals pertaining to the generator set are available on QuickServe Online.

QuickServe Online: <https://quickserve.cummins.com/info/index.html>

The information contained within this manual is based on information available at the time of going to print. In line with Cummins Inc. policy of continuous development and improvement, information may change at any time without notice. Make sure that the documentation is the latest information available. Contact your authorized distributor for assistance.

Related Literature

The related literature that is appropriate to your generator set includes:

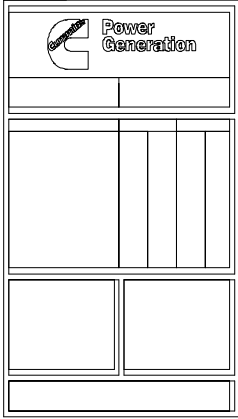
- Installation Manual (A053X172)
- Operator Manual (A053X174)
- Quick Start Installation Guide (A053X181)
- Quick Start Operator Guide (A053X183)

If further information is required, contact your authorized distributor.

Model Identification

This manual covers generator set models produced under the Cummins Inc. brand name.

To avoid errors or delay in filling your parts order, always state the MODEL and SERIAL NUMBER from the Cummins Inc. nameplate.



The engine serial number is located on a data tag on the engine or is stamped on the engine block.

The control software number is located on the electronic control module (ECM) or can be obtained via the digital interface if one is available.

For reference document your genset information in the spaces below.

Generator Model Number: _____

Generator Set Serial Number: _____

Engine Serial Number: _____

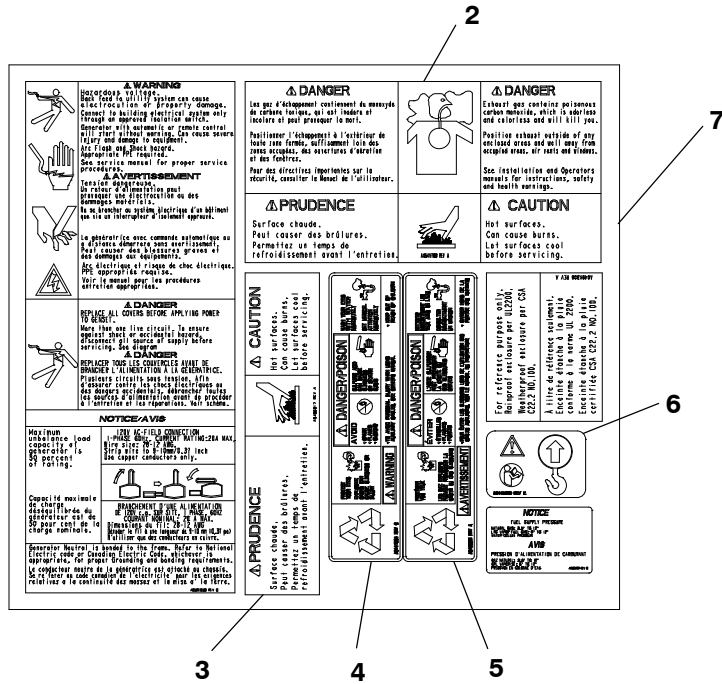
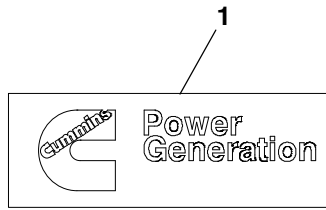
Digital Control Software: _____

Abbreviations

Some of the following abbreviations may be used throughout this Parts Manual:

AC	Alternating Current	LED	Light-Emitting Diode
ACB	Air Circuit Breaker	LTP	Limited Time Power Rating
ACH	Anti-Condensations Heaters	LTA	Low Temperature Aftercooling
ATS	Automatic Transfer Switch	LV	Low Voltage
Amp	Ampere	M	Meter
A/R	As Required	MCB	Miniature Circuit Breaker
AVR	Automatic Voltage Regulator	MCCB	Moulded Case Circuit Breaker
AWG	American Wire Gauge	MF	Mains Failed
BHP	Brake Horsepower	MFSS	Master First Start Sensor
BMS	Building Measurement System	mm	Millimeter
BST	Busbar Sensing Transformer	MOH	Mobile Off Highway
CAN	Controlled Area Network	MR	Mains Returned
CB	Circuit Breaker	MST	Mains Sensing Transformer
CCA	Cold Cranking Amps	MSU	Mains Sensing Unit
CHP	Combined Heat and Power	MV	Medium Voltage
COP	Continuous Power Rating	NEC	Neutral Earthing Contact
CT	Current Transformer	NFS	Not For Sale
dB(A)	Unit of noise level	NPT	National Pipe Thread
DC	Direct Current	OD	Outside Diameter
Deg	Degree	oz.	Ounce
DIP	Dual In-line Package	PC	PowerCommand
DMC	Digital Master Control	PC	Printed Circuit
DMSU	Demand Load Standby Unit	PF	Power Factor
ECM	Engine Control Module	Ph	Phase
EFC	Electronic Fuel Control	PFC	Power Factor Controller
EIT	External/Internal Tooth	PLC	Programmable Logic Controller
EMCU	Engine Monitoring and Control Unit	PMG	Permanent Magnet Generator
EMF	Electromotive Force	PPR	Prime Power Rating
EPROM	Erasable Programmable Read Only Memory	PSU	Power Supply Unit
EPU	Engine Protection Unit	PT/CT	Potential Transformer/Current Transformer
ET	External Tooth	PTC	Power Transfer Control
FAE	Full Authority Engine	QCC	Quadrature Current Control
FSS	First Start Sensor	RFI	Radio Frequency Interference
GCP	Generator Control Panel	RMS	Root Mean Square
Genset	Generator set	RPM	Revolutions Per Minute
GFI	Ground Fault Interrupter	RT	Right
GKWT	Global Kilowatt Transducer	RTD	Resistance Temperature Detector
HMI	Human/Machine Interface	Spec	Specification
HV	High Voltage	Thk	Thick
IC	Integrated Circuit	UL	Underwriters Laboratories Inc.
ID	Inside Diameter	UNC	Union National Coarse
IEC	International Electrotechnical Commission	UNF	Union National Fine
I/O	Input / Output	V	Volts
IT	Internal Tooth	VAC	Volts, Alternating Current
kVA	Apparent Power	VCB	Vacuum Circuit Breaker
kVAR	Reactive Power	VDC	Volts, Direct Current
kW	Active / Real Power (Kilowatt)	VF	Volt-free
kWh	Unit of electrical energy or work	VT	Voltage Transformer
LPG	Liquid Petroleum Gas	W/(ET, IT, EIT)	With
LT	Left		

Labels



Item	Part No.	Description	Qty
1	A044C288	Label, Logo (Black Lettering)	1
2	A054V783	Label, Caution	1
3	A048G917	Label, Caution	1
4	A044Y564	Label, Warning	1
5	A048G921	Label, Warning	1
6	A044M619	Label, Information	1
7	A054V975	Label, Package	1

Consumables

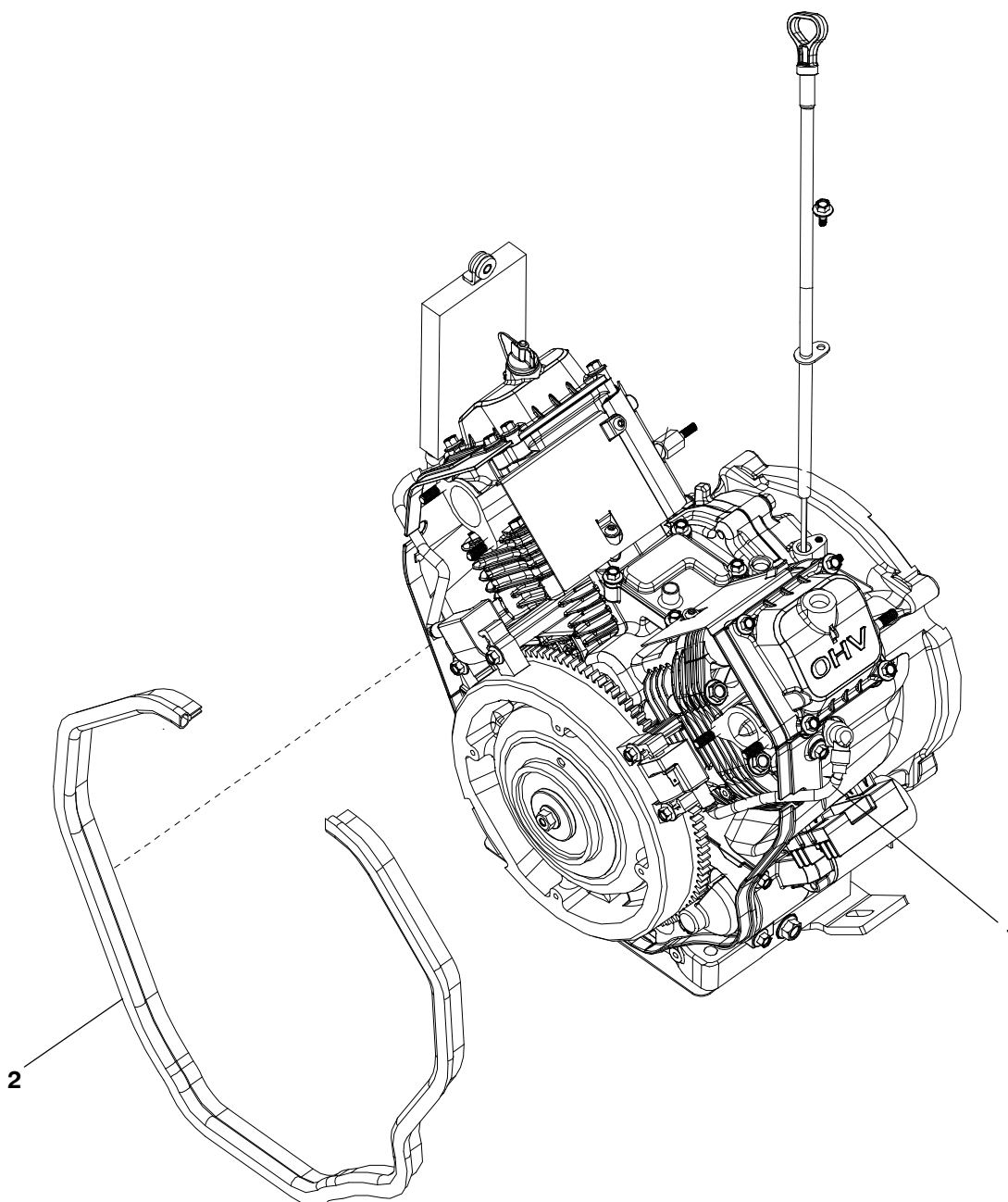
The following is a list of consumables associated with the generator models covered in this manual:

Part No.	Description	Qty
A050B086	Oil, Lubricating	0.6 Gallon
A051A078	Filter, Air	1
A050X362	Filter, Oil	1

Paint and Thread Sealant

Item	Part No.	Description	Qty
1	0525-0305	Onan Green Enamel (Non-Metallic) 12 oz. Pressurized Spray Can	n/a
2	A043J735	Paint, Sandstone (1/2 oz. Bottle)	n/a
3	0518-0391	Sealant, Thread	n/a

Engine Engine Accessories

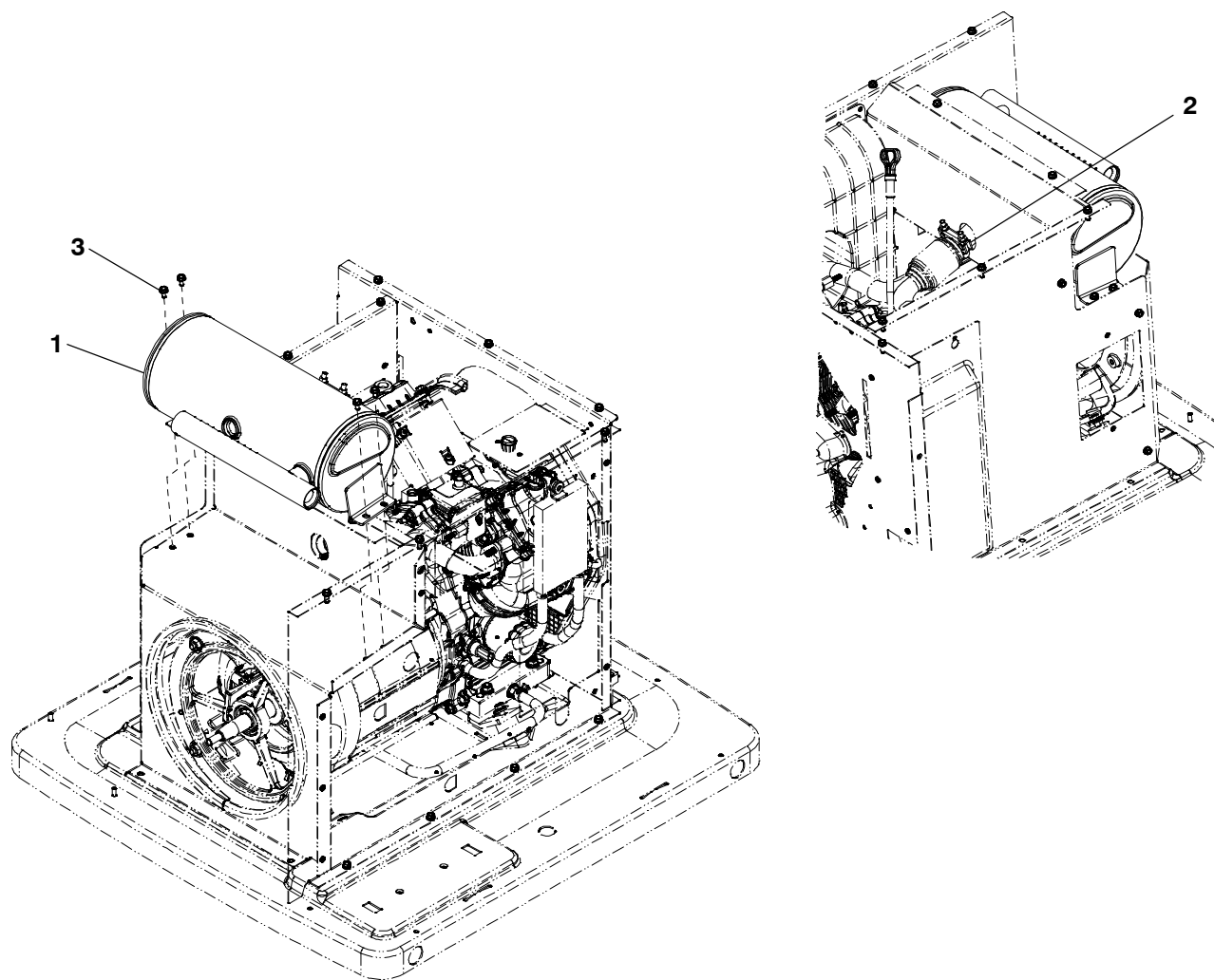


Item	Part No.	Description	Qty
1	A050L009	Block, Engine Long – Complete (See Page 9 for Service Parts)	1
2	A053A324	Seal, Edge	1

Engine – Service Parts

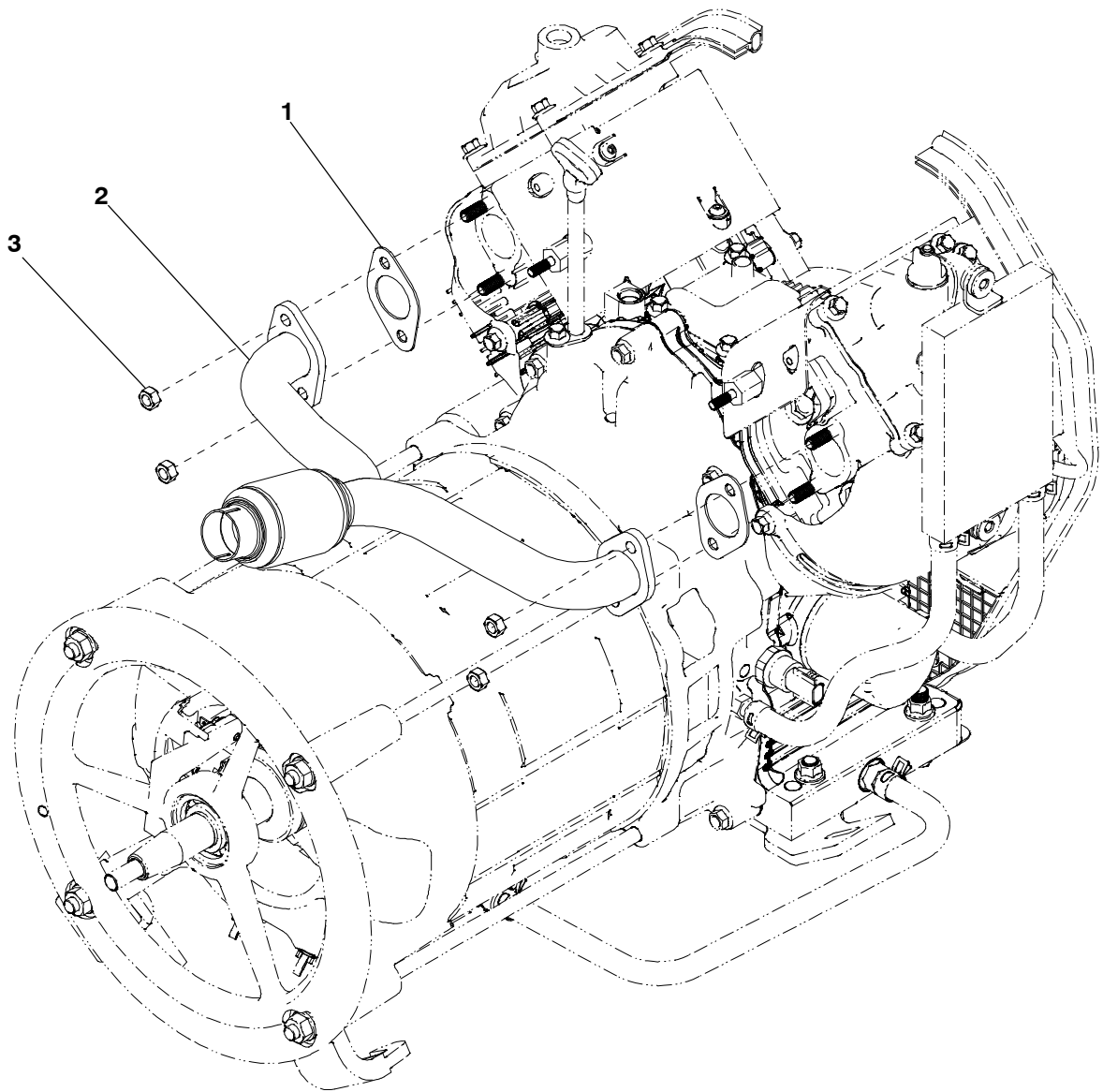
Item	Part No.	Description	Qty
1	A054Z620	Head, Cylinder	1
2	A054Z621	Head, Cylinder	1
3	A054Z623	Arm, Rocker	1
4	A054Z625	Rod, Push	1
5	A054Z627	Gasket, Cylinder Head	1
6	A054Z629	Starter	1
7	A054Z630	Coil, Ignition	1
8	A054Z631	Coil, Ignition	1
9	A054Z632	Charger, Battery	1
10	A054Z634	Regulator, Voltage	1
11	A054Z635	Flywheel	1
12	A054Z636	Flywheel	1
13	A054Z637	Cooler, Oil	1
14	A054Z638	Cooler, Oil	1
15	A054Z639	Plug, Spark	2
16	A054Z640	Dipstick	1
17	A054Z641	Cap, Oil Fill	1
18	A041G806	Switch, Oil Pressure (Installed 7–10 PSI Normally Closed)	1

Silencer



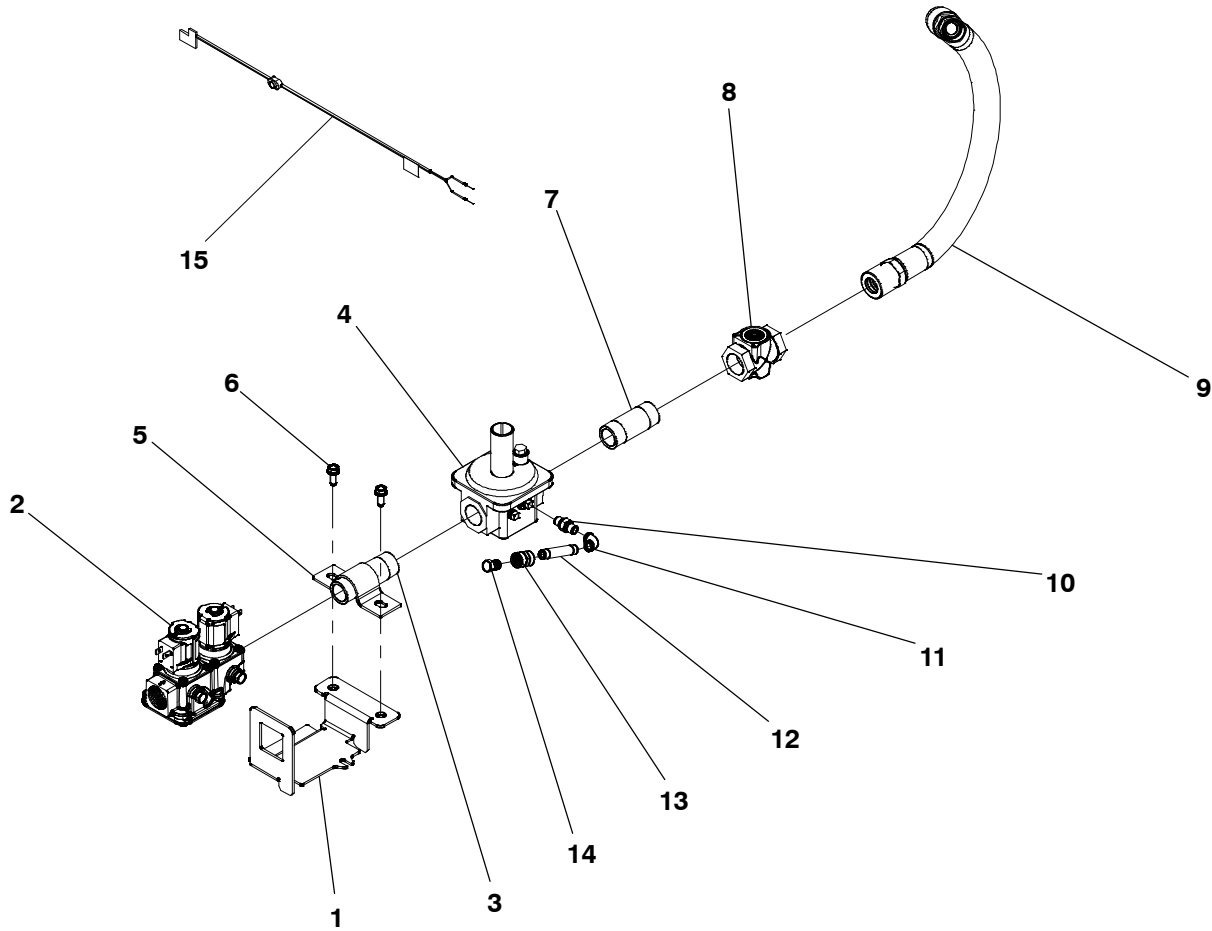
Item	Part No.	Description	Qty
1	A053B918	Silencer	1
2	0187-5128	Clamp	1
3	0815-0578	Screw, Hollow Head	4

Exhaust Manifold



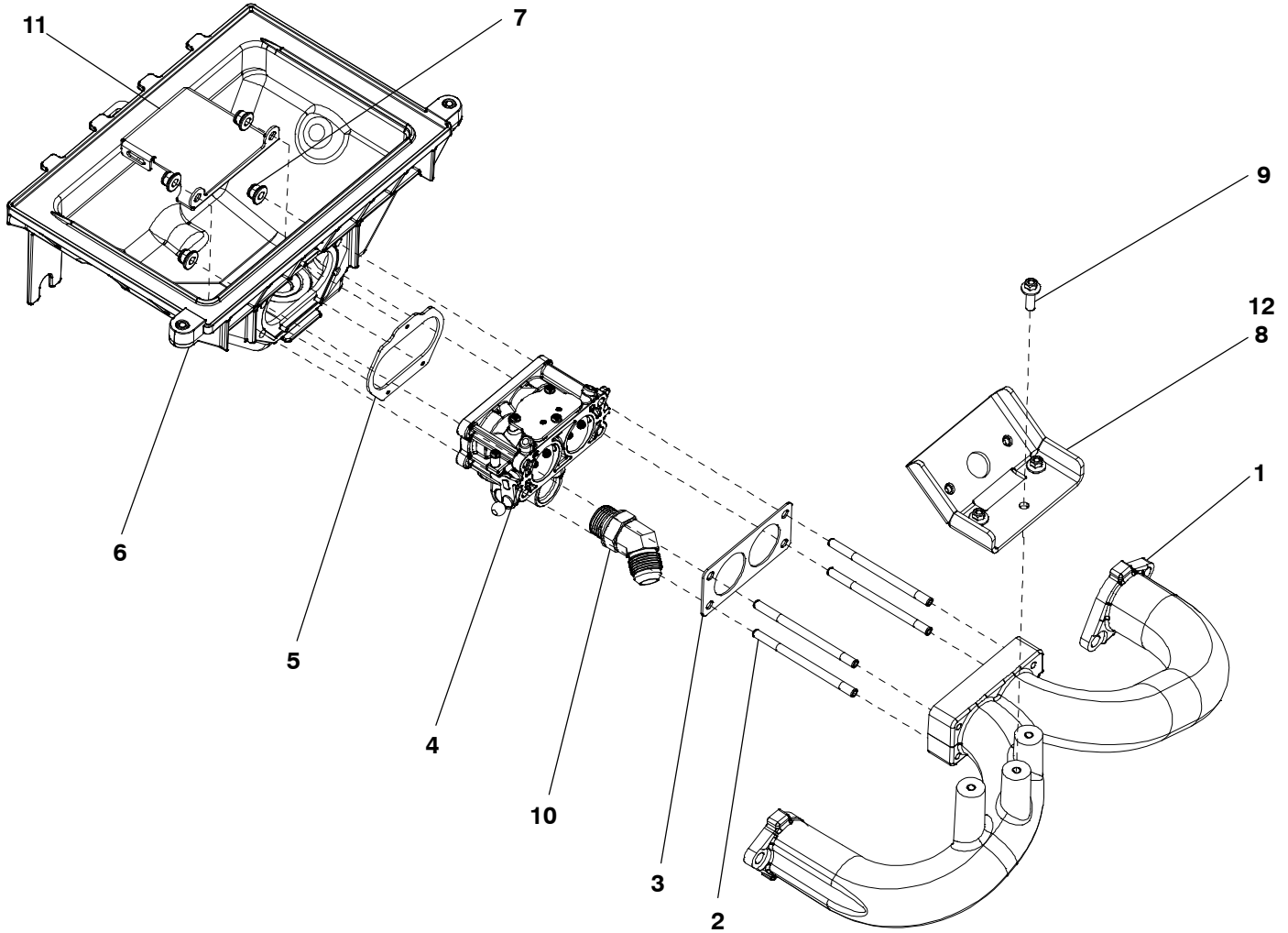
Item	Part No.	Description	Qty
1	A049V296	Gasket	2
2	A052G373	Pipe, Exhaust	1
3	0870-2193-04	Nut, Torque Hexagon	4

Fuel Supply



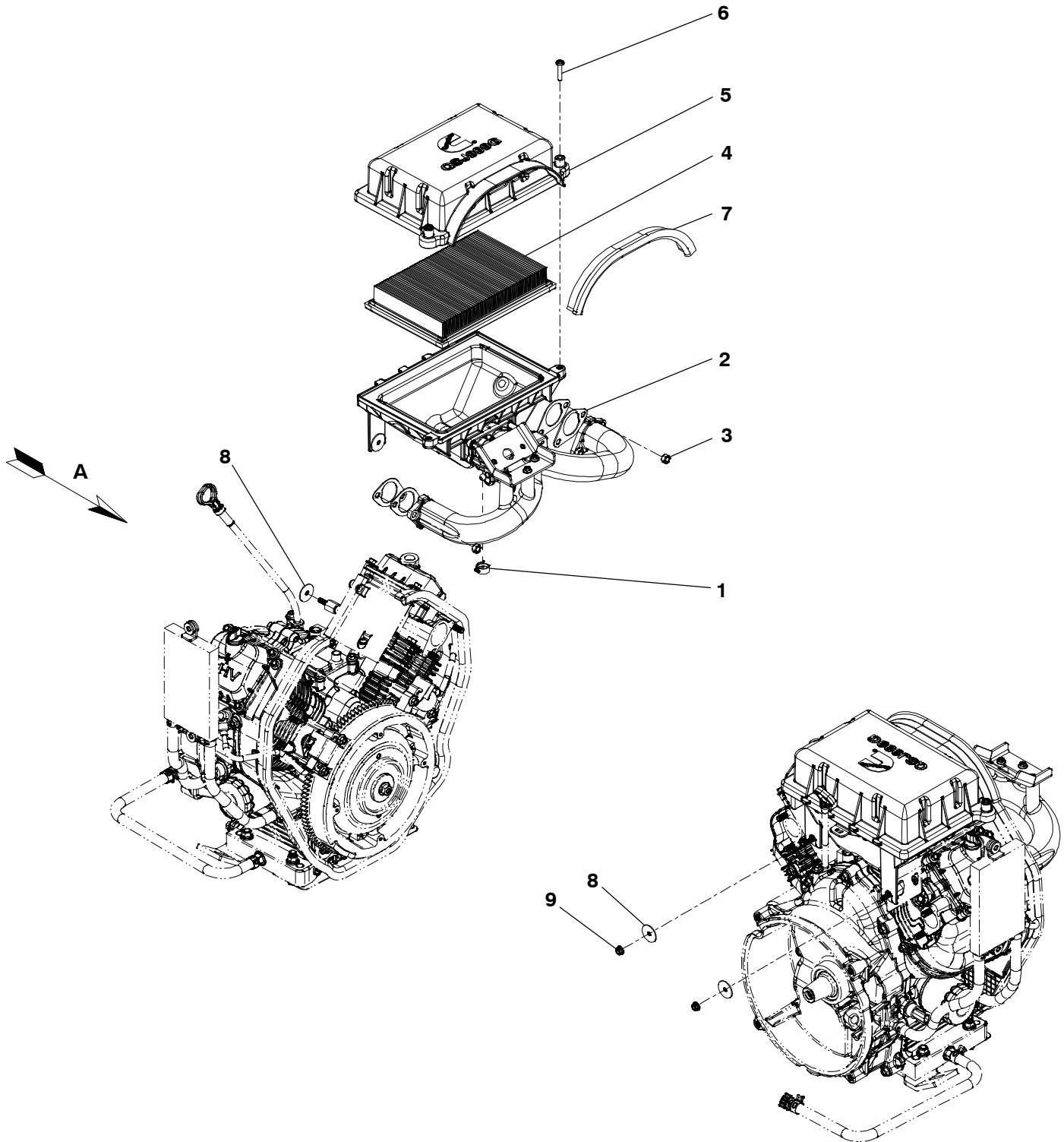
Item	Part No.	Description	Qty
1	A052J269	Bracket, Fuel System	1
2	A051A232	Valve, Solenoid	1
3	0505-0332	Fitting, Nipple	1
4	A053A320	Regulator, Pressure	1
5	A050U655	Clamp	1
6	0815-0941-03	Screw, Hollow Head	2
7	0505-0084	Fitting, Nipple	1
8	A053C985	Valve, Fuel	1
9	A052Y175	Hose, Fuel	1
10	A026E601	Adapter, Straight	1
11	0505-0037	Elbow, Pipe	1
12	A057S041	Fitting, Nipple	1
13	A057E896	Coupling, Pipe	1
14	A057E899	Plug, Threaded	1
15	A057Z280	Heater, Flexible (Pressure Regulator)	1

Fuel Supply (Illustration #1)



Item	Part No.	Description	Qty
1	A052K310	Manifold, Intake	1
2	A051Y492	Stud	4
3	A051A062	Gasket	1
4	A051L324	Mixer	1
5	A051A054	Gasket, Air Filter	1
6	A051A072	Box, Air	1
7	A052Z191	Nut, Lock	4
8	A052X019	Bracket, Guard	1
9	0815-0857-03	Screw, Hex Head	3
10	A052Z429	Connector, Hose	1
11	A055K329	Baffle, Breather	1
12	0870-2025	Nut, Weld	2

Fuel Supply (Illustration #2)

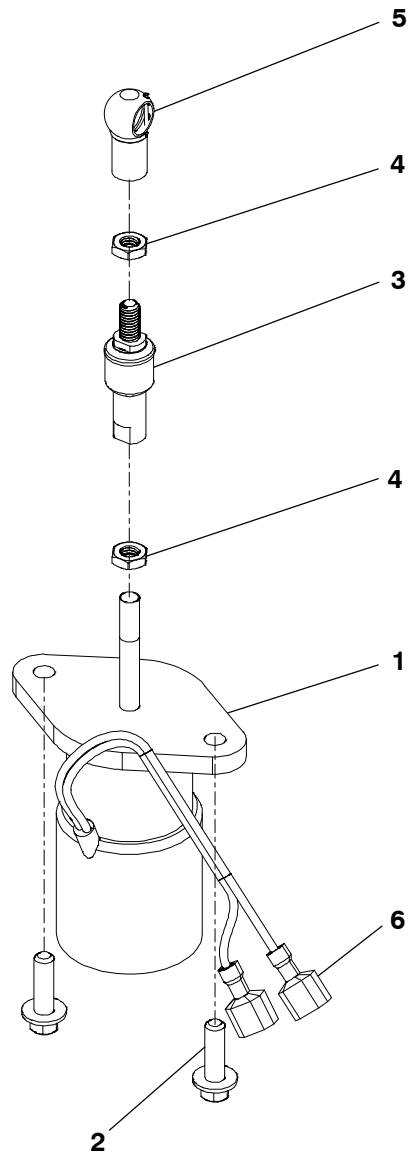


View in Direction of Arrow 'A'

Fuel Supply (Illustration #2)

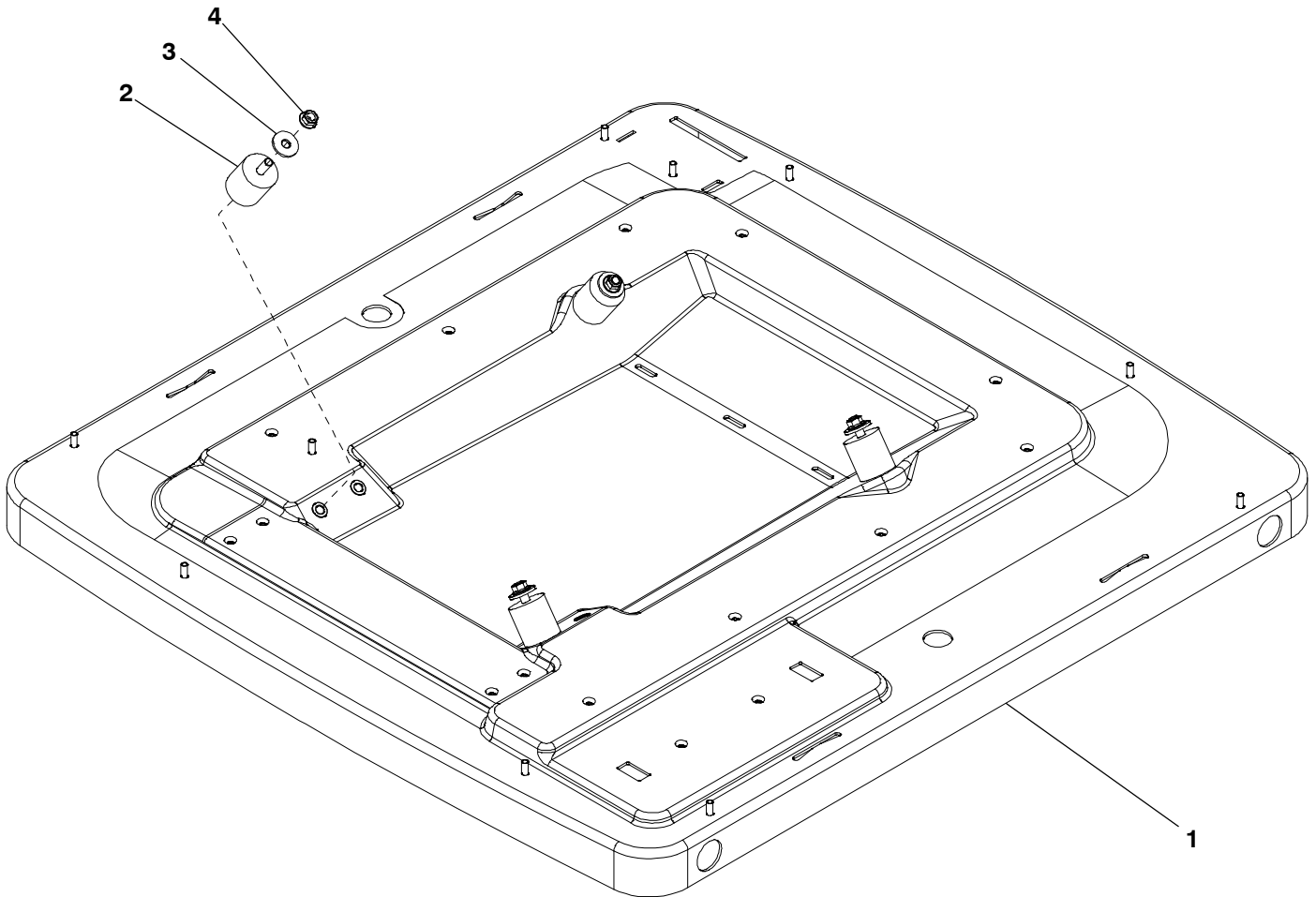
Item	Part No.	Description	Qty
1	A052F912	Clamp	1
2	A052K315	Spacer	4
3	0870–2193–04	Nut, Torque Hexagon	4
4	A051A078	Filter, Air	1
5	A051A074	Box, Air	1
6	A053B731	Screw, Pan Head	2
7	A053A326	Seal, Edge	1
8	A051C569	Washer	4
9	A052Z193	Nut, Lock	2

Governor



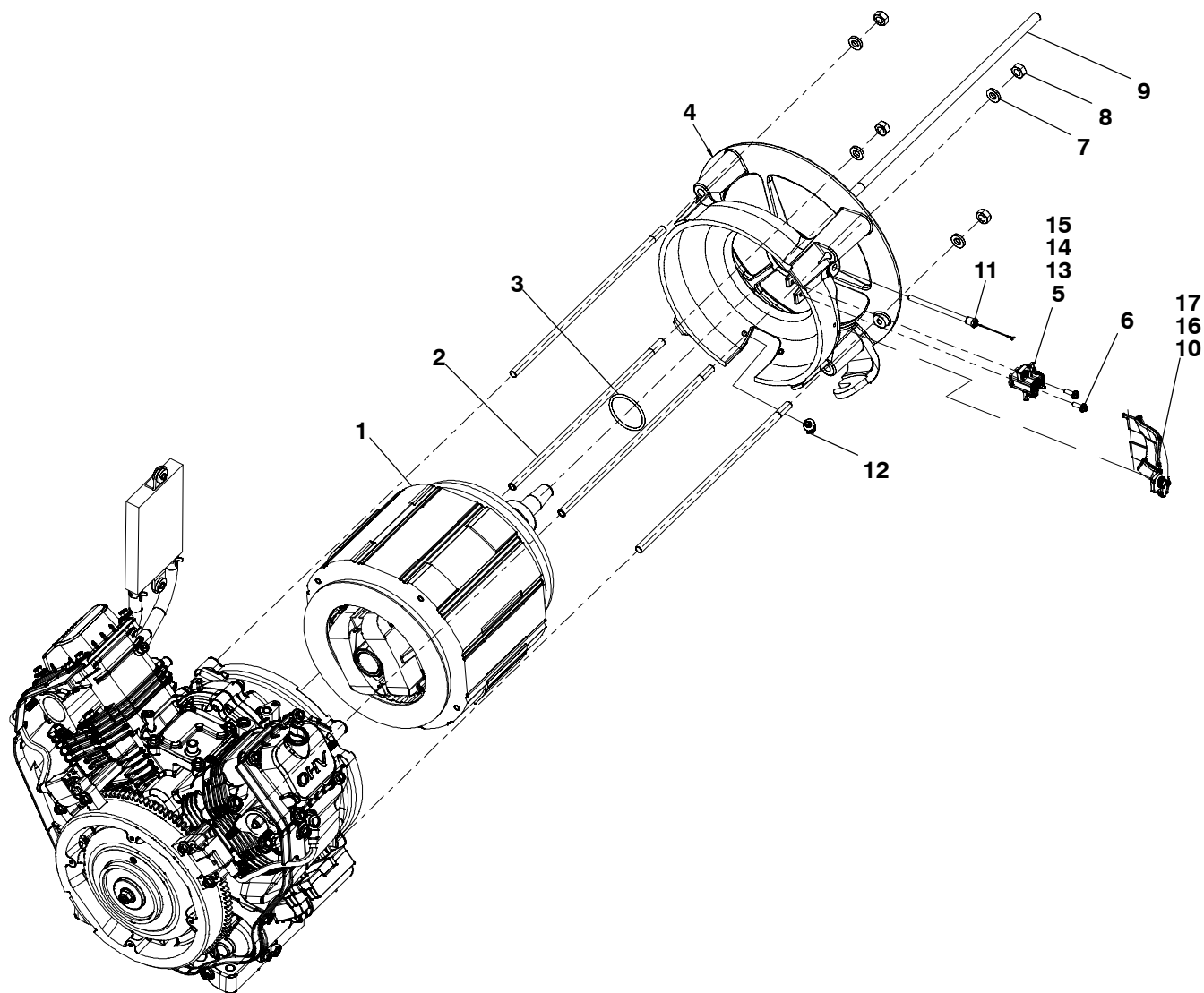
Item	Part No.	Description	Qty
1	A052J546	Actuator	1
2	0815-0857-03	Screw, Hex Head	2
3	A052Z423	Linkage, Governor	1
4	A052Z425	Nut, Hex	2
5	A055X512	Linkage, Governor	1
6	0332-2431	Terminal, Receptacle	2

Chassis



Item	Part No.	Description	Qty
1	A052P089	Base, Enclosure	1
2	A052T723	Isolator, Vibration	4
3	0526-0113	Washer, Flat	4
4	0870-2159	Nut, Hex Flange	4

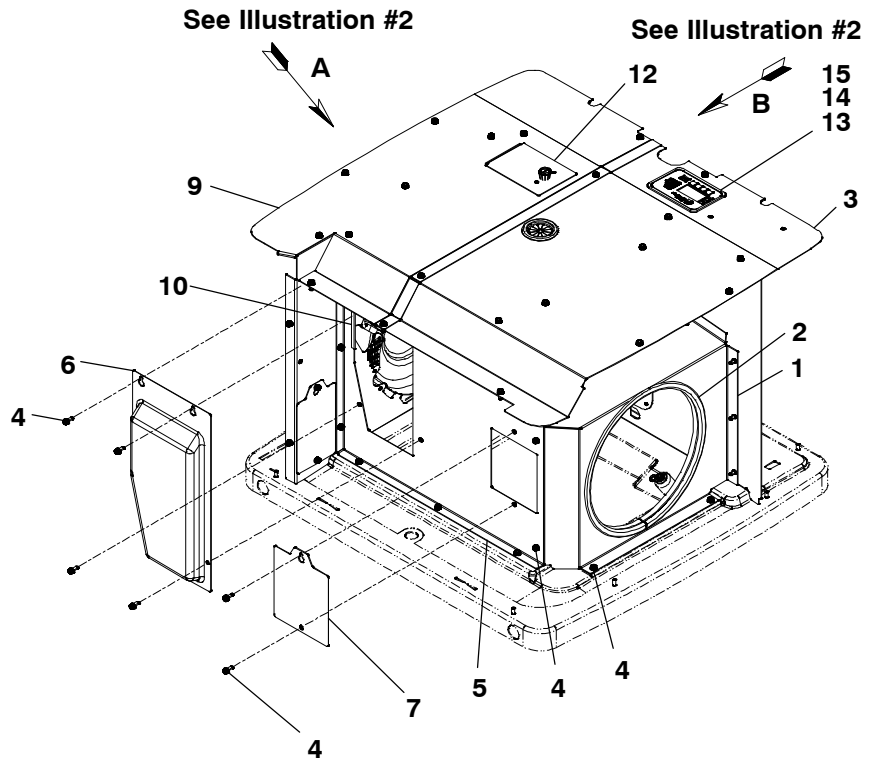
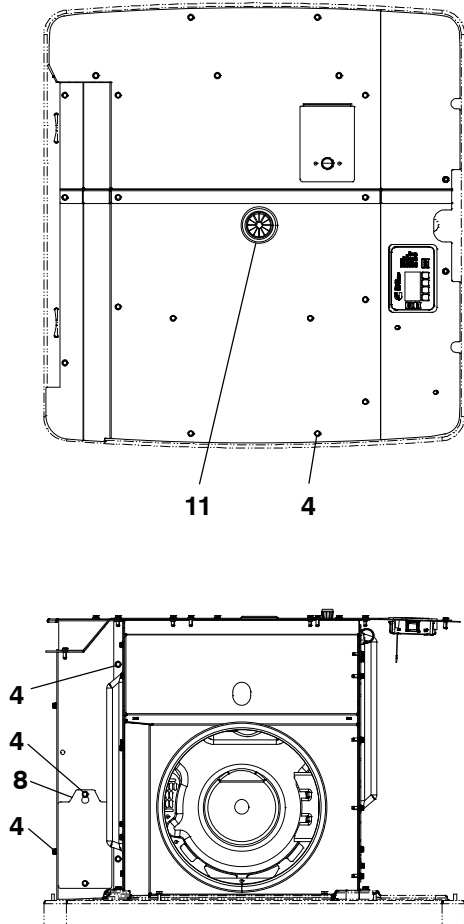
Alternator



Alternator

Item	Part No.	Description	Qty
1		Generator	
	A049Y788	C17N6H, C20N6H, C20N6HC	1
	A049Y791	C13N6H	1
2		Rod, Threaded	
	A050B662	C17N6H, C20N6H, C20N6HC	4
	A050B664	C13N6H	4
3	0509-0196	Seal, O Ring	1
4	A052X302	Bracket, Alternator	1
5	A052C370	Block, Alternator Brush	1
6	A029J996	Screw, Hex Flange Head	2
7	0526-0174	Washer, Flat	4
8	0862-0026-56	Nut, Hex	4
9		Rod, Threaded	
	A050D972	C17N6H, C20N6H, C20N6HC	1
	A050D974	C13N6H	1
10	A053S626	Cover	1
11	A053A380	Heater, Generator	1
12	A044D694	Tie, Cable	2
13	0212-1286	Block, Terminal	1
14	0212-1275	Block, Gen Brush	1
15	0212-1276-03	Spring	2
16	0821-2032	Screw, Flange Head Lock	1
17	A046Z638	Washer, Lock	1

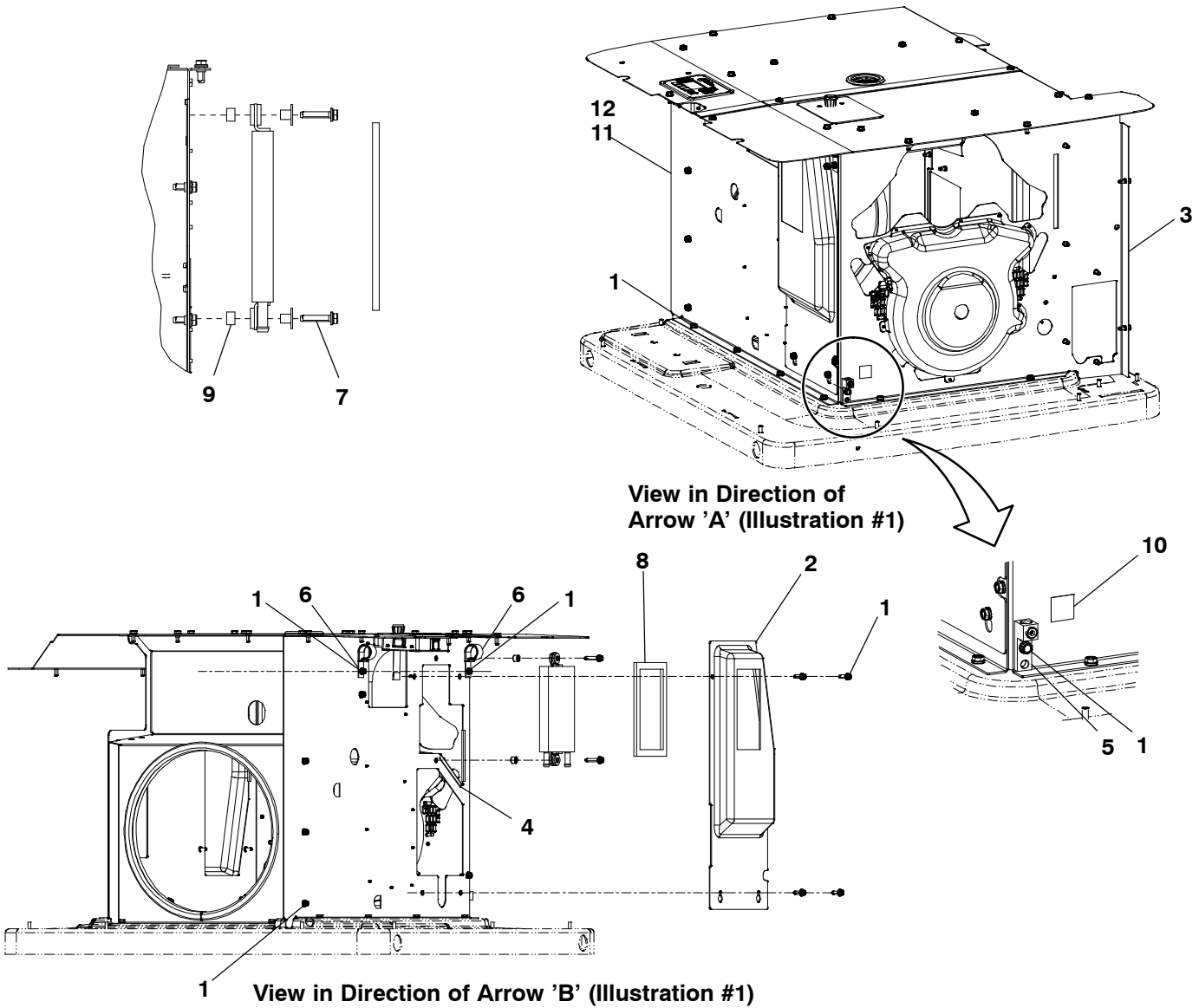
Enclosure (Illustration #1)



Enclosure (Illustration #1)

Item	Part No.	Description	Qty
1		Panel	
	A052R160	C17N6H, C20N6H, C20N6HC	1
	A052T145	C13N6H	1
2	A051A692	Seal	1
3	A052U003	Panel	1
4	0815-0941-03	Screw, Hollow Head	60
5	A052R166	Panel	1
6	A052R168	Panel	1
7	A052R172	Panel	1
8	A052T147	Panel	1
9	A052R174	Panel	1
10	A052W807	Edging	3
11	A052D992	Grommet	1
12	A053Y197	Cover, Access	1
13	A052D408	Display, Control	1
14	0518-0685	RTV, Silicone	A/R
15	0823-0001-01	Screw, Pan Head (Torx)	4

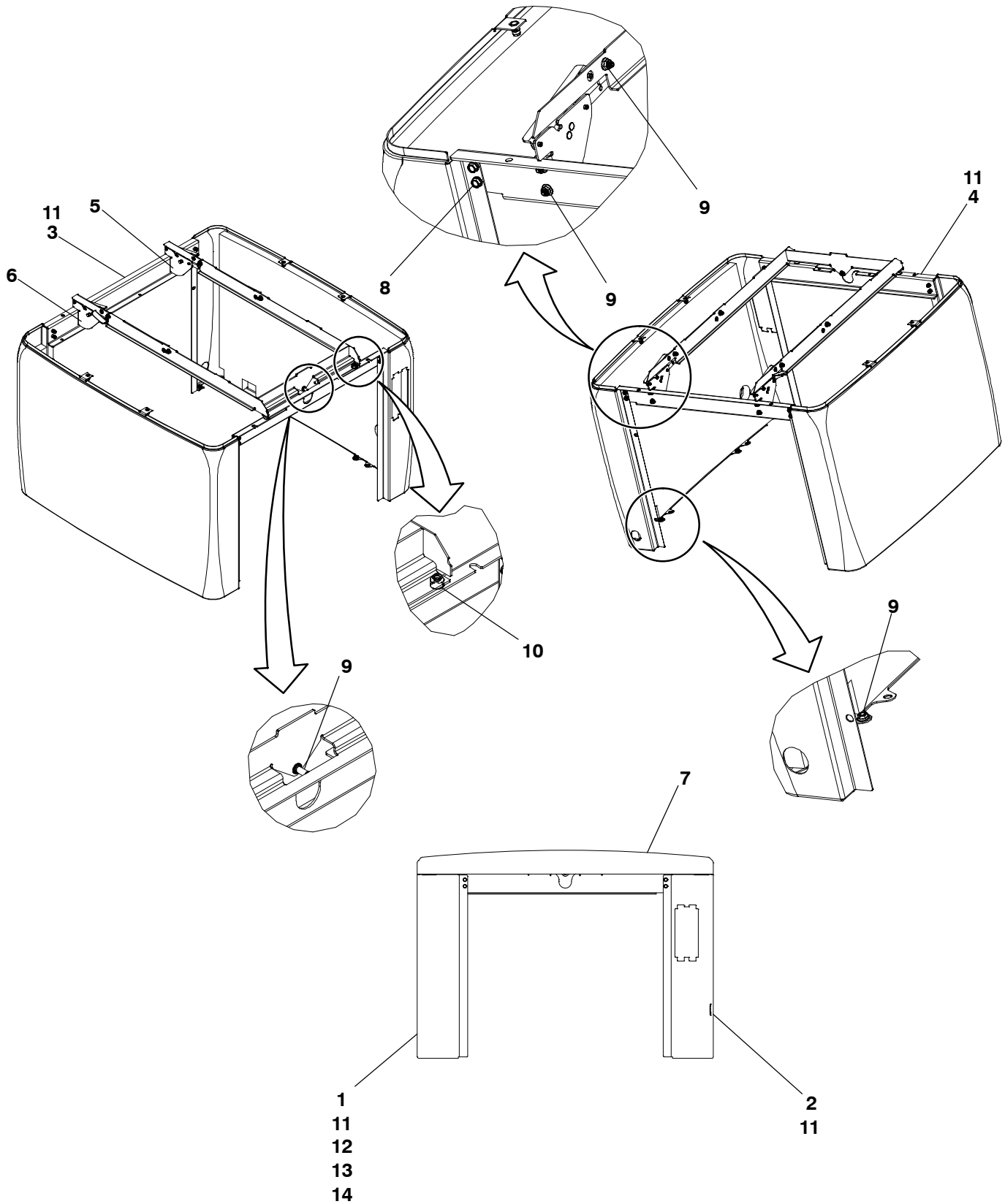
Enclosure (Illustration #2)



Item	Part No.	Description	Qty
1	0815-0941-03	Screw, Hollow Head	60
2	A052T149	Panel	1
3	A052R170	Panel	1
4	A052W807	Edging	3
5	A051B377	Lug, Terminal	1
6	0332-3196	Clamp, J	2
7	0815-0941-04	Screw, Hollow Head	2
8	A054A071	Gasket	1
9	A053J313	Spacer	2
10	A044F269	Label, Ground	1
11	A052R164	Panel	1
12	A054D969	Duct, Air	1

This page is Intentionally blank.

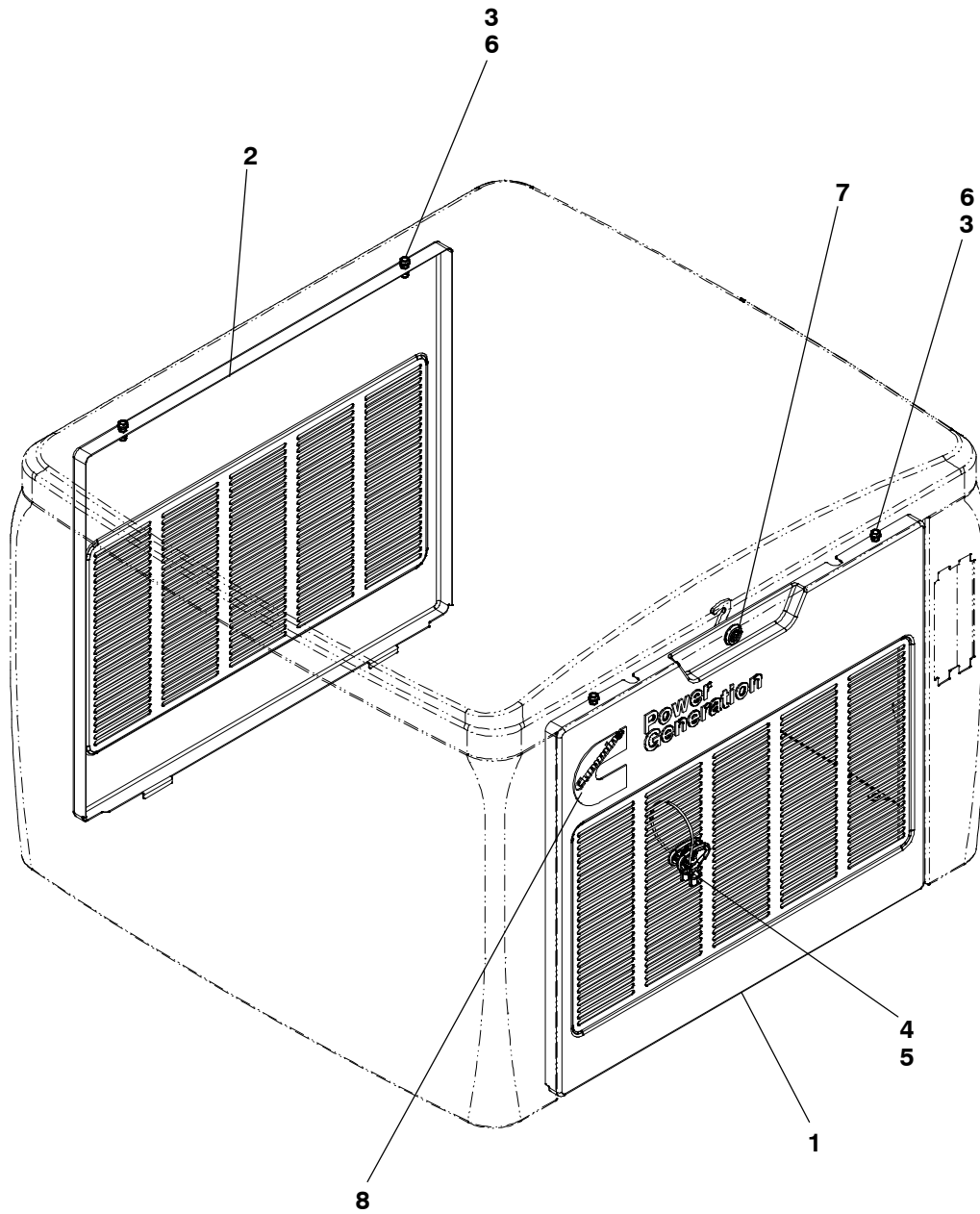
Enclosure



Enclosure

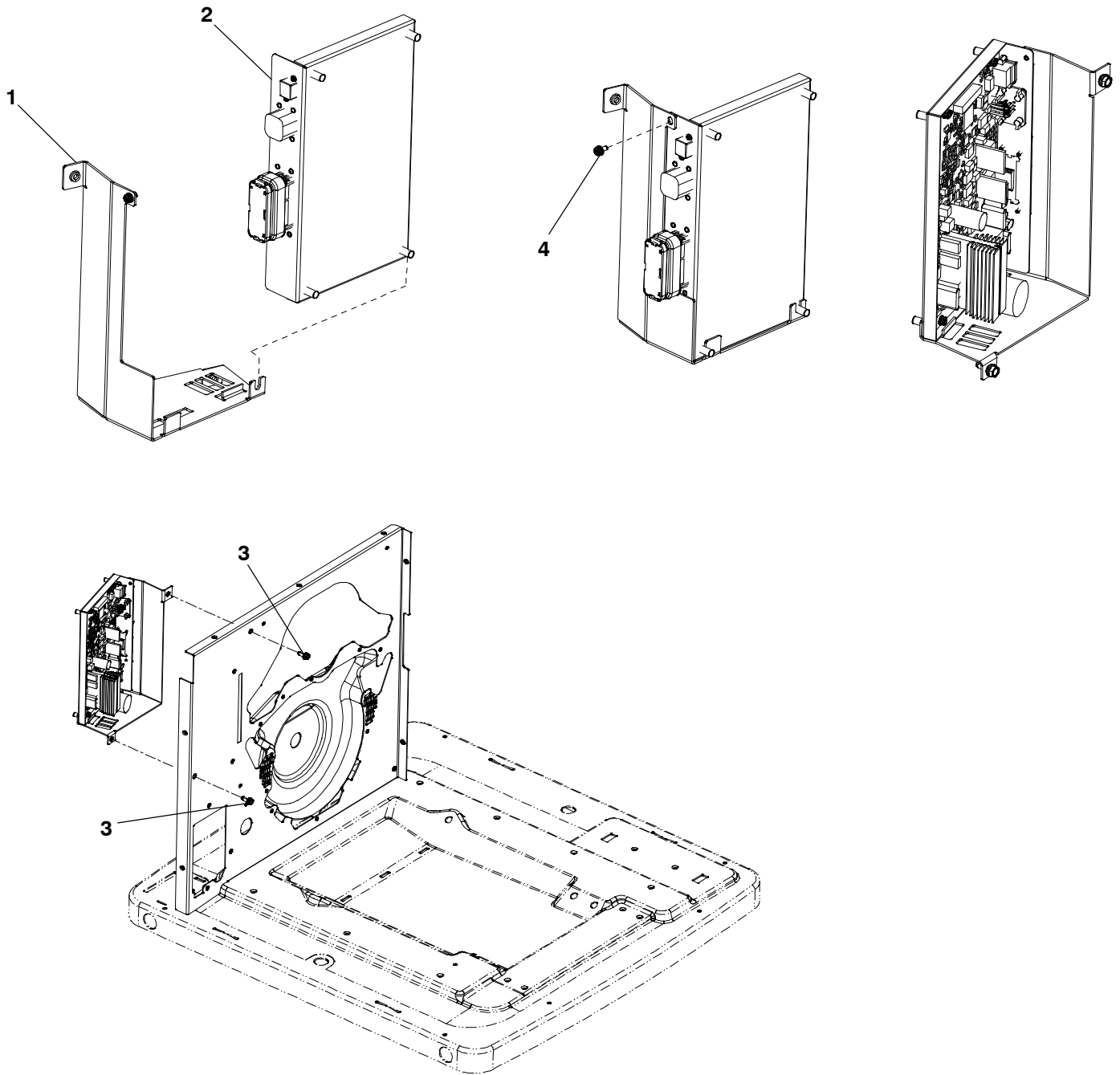
Item	Part No.	Description	Qty
1	A052U308	Insulation, Panel	1
2	A052U335	Insulation, Panel	1
3	A052P052	Brace, Support	1
4	A052P057	Brace, Support	1
5	A054P823	Hinge	1
6	A054P825	Hinge	1
7	A052P075	Roof, Enclosure	1
8	0815-0941-03	Screw, Hollow Head	8
9	0870-2065-02	Nut, Hex Flange	17
10	A046W954	Bumper	2
11	A026H651	Nut, Clinch	A/R
12	A052U326	Insulation, Panel	1
13	A044F378	Retainer, Insulation	3
14	A044L228	Washer, Lock	9

Enclosure



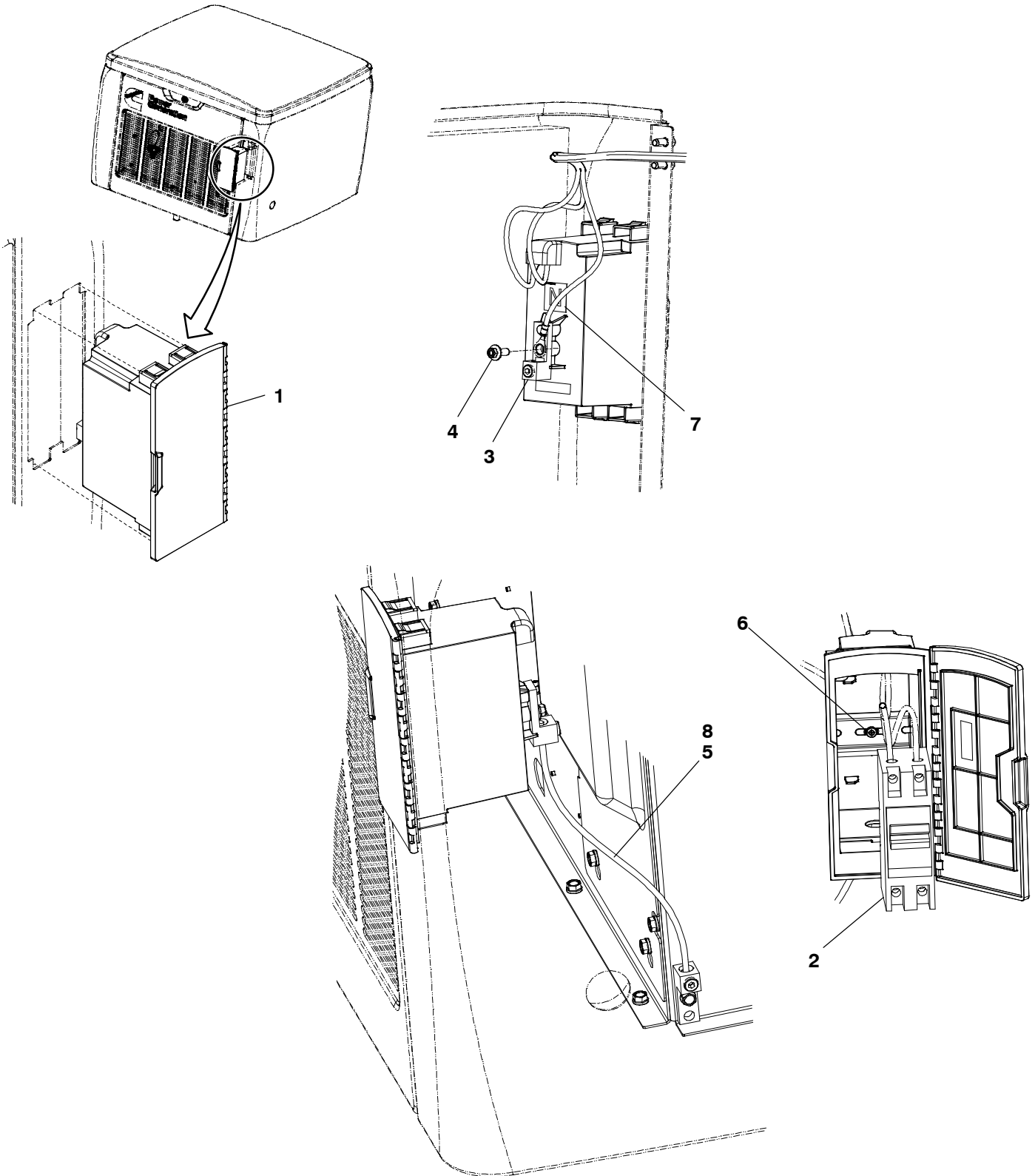
Item	Part No.	Description	Qty
1	A052X717	Grill, Enclosure	1
2	A052P071	Grill, Enclosure	1
3	0815-0941-03	Screw, Hollow Head	4
4	A043G324	Key	2
5	0332-1794	Tie, Cable	1
6	A026H651	Nut, Clinch	4
7	A051X259	Latch	1
8	A044C288	Label, Logo	1

Control Panel



Item	Part No.	Description	Qty
1	A050T690	Bracket, Support	1
2	A052Z409	Card, Control	1
3	0815-0941-03	Screw, Hollow Head	2
4	0819-1165-02	Screw, Pan Head	1

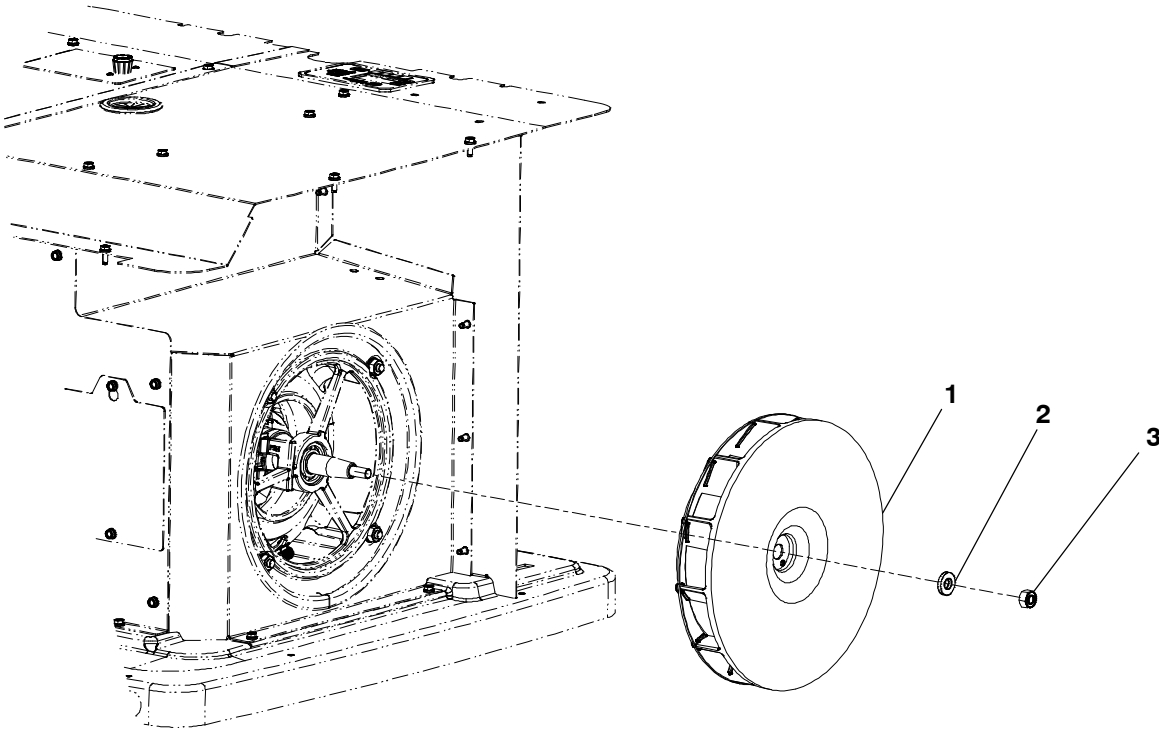
Circuit Breaker Box



Circuit Breaker Box

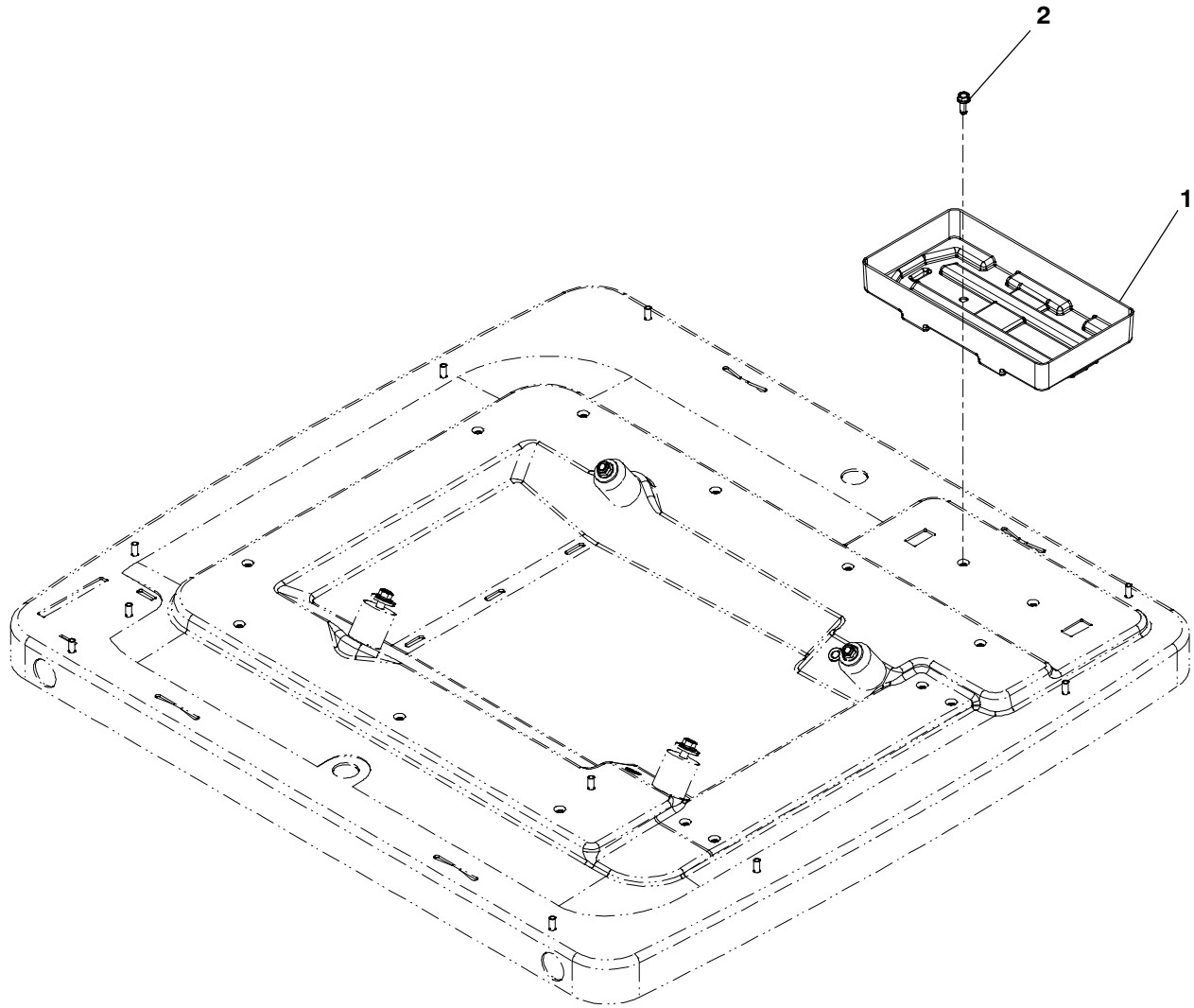
Item	Part No.	Description	Qty
1	A051N766	Box, Circuit Breaker	1
2	0320-2006-02	Breaker, Circuit (2-Pole, 100A)	1
3	A051B377	Lug, Terminal	1
4	0815-0857-02	Screw, Hex Head	1
5	A053K278	Lead	1
6	A041H307	Screw, Pan Head	1
7	A044H599	Label, Neutral	1
8	0334-0761	Wire	1.38 Foot

Fan



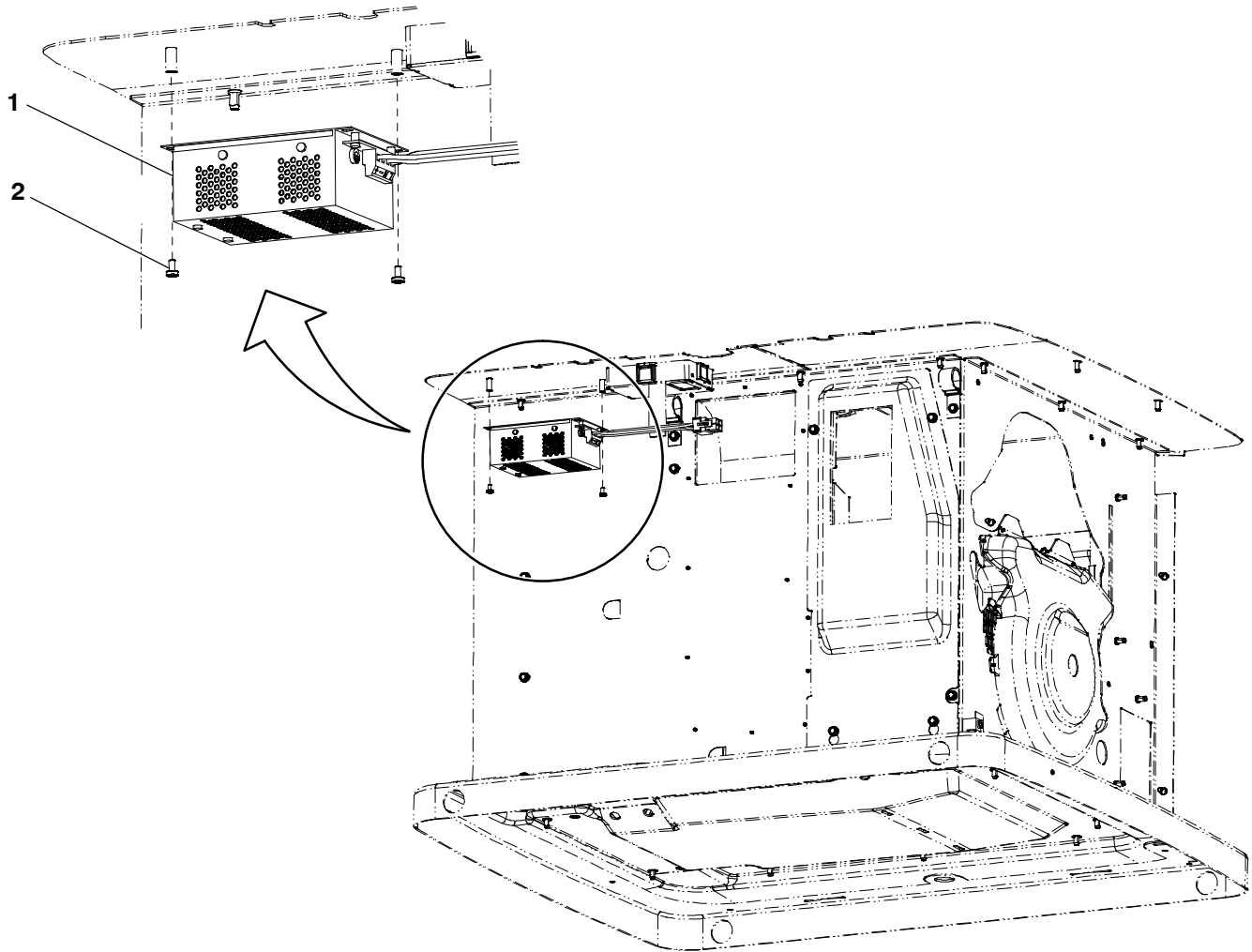
Item	Part No.	Description	Qty
1	A050L013	Fan	1
2	0526-0399-44	Washer, Flat	1
3	A054X930	Nut, Hex	1

Battery Tray



Item	Part No.	Description	Qty
1	A052Y993	Tray, Battery	1
2	0815-0941-03	Screw, Hollow Head	1

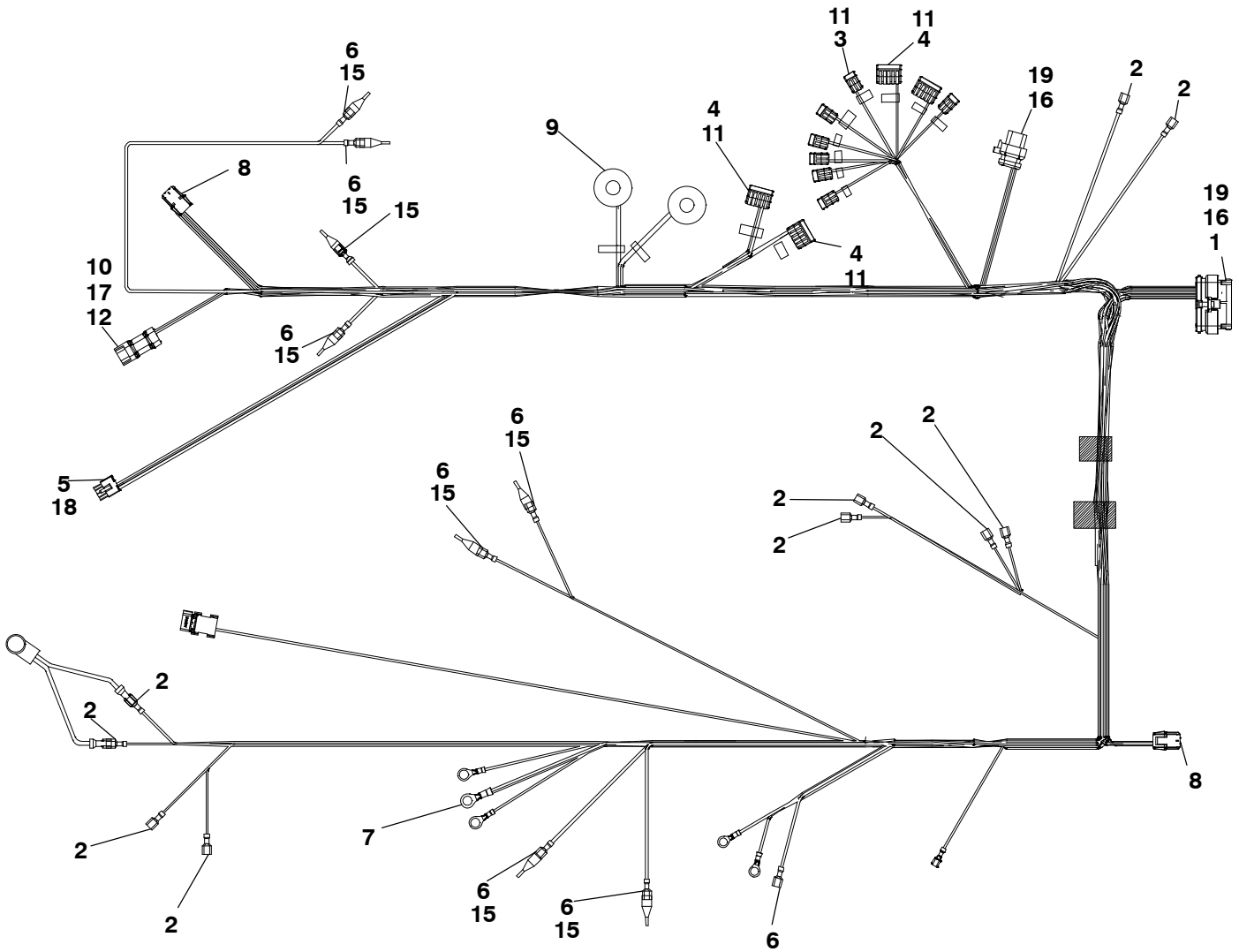
Battery Charger



Item	Part No.	Description	Qty
1	A054R413	Charger, Battery	1
2	A041H307	Screw, Pan Head	2

This page is Intentionally blank.

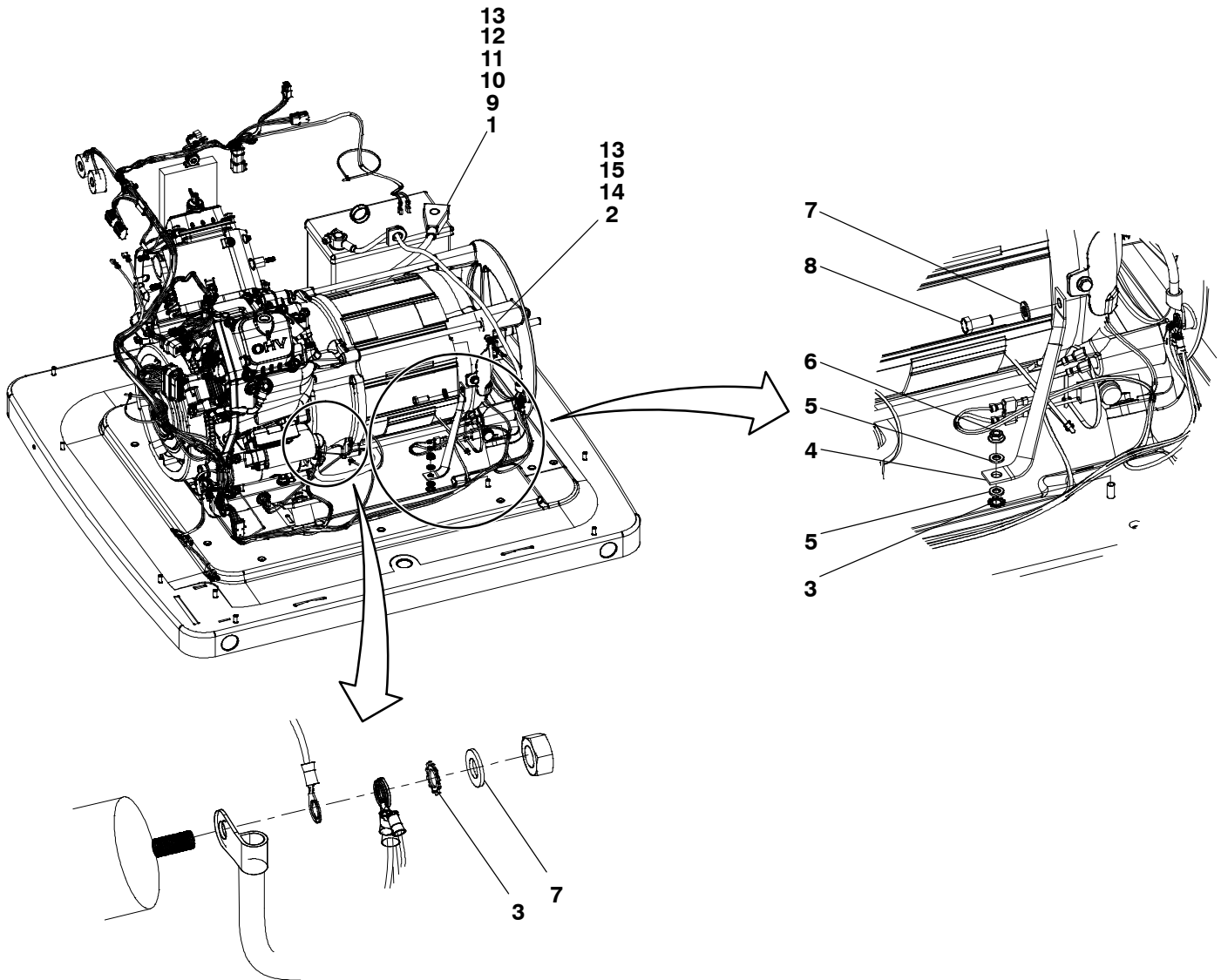
Generator Set Harness



Generator Set Harness

Item	Part No.	Description	Qty
	A049F902	Harness, Generator Set	1
1	0323-1819-01	Connector, Plug	1
2	0332-1992	Terminal, Receptacle	1
3	A034P713	Connector, Terminal Block	1
4	A046D267	Connector, Terminal Block	1
5	0323-2011	Connector, Plug	1
6	0332-1993	Terminal, Receptacle	1
7	0332-1048	Terminal, Ring	1
8	A042N319	Housing, Receptacle	1
9	A028X144	Transformer, Current	1
10	0323-2396	Wedge, Receptacle	1
11	0332-3491-01	Terminal, Wire Pin	1
12	0323-1591	Plug, Seal	1
13	0898-1337-03	Heatshrink	1
14	0332-3388	Tie, Cable	1
15	0332-2430	Terminal, Receptacle	1
16	0323-1614-01	Socket, Terminal	1
17	0323-1491	Terminal, Pin	1
18	0323-2466	Contact, Socket	1
19	0323-1615	Plug	1

Leads



Leads

Item	Part No.	Description	Qty
1	A053J575	Lead, Battery (Positive)	1
2	A053J577	Lead, Battery (Negative)	1
3	0853-2008	Washer, Lock	2
4	0337-3467	Strap, Electrical	1
5	0526-0399-58	Washer, Flat	2
6	0870-2065-02	Nut, Hex Flange	1
7	0526-0399-60	Washer, Flat	2
8	0800-2057	Screw, Hex Head	1
9	0416-1019	Boot, Battery – Red	1
10	0334-0933	Wire	3.7 Foot
11	0898-1195-02	Sleeving, Convoluted	3.2 Foot
12	0332-2112-01	Insulator, Terminal	1
13	0508-1105	Grommet, Remote	2
14	0334-0933	Wire	2.5 Foot
15	0898-1195-02	Sleeving, Convoluted	2.1 Foot

Generator Set Accessories (Items are Packaged in a Bag and Placed Inside Battery Tray)

Item	Part No.	Description	Qty
1	0517-0138-04	Plug, Hole	4
2	A051C362	Sleeve	2
3	A051N725	Panel, Circuit Breaker Box	1
4	A042Y727	Screw, Pan Head	1
5	0526-2140	Washer, Flat	2
6	A034N106	Block, Terminal	1

Accessory Kits

Extreme Cold Weather Kit

Item	Part No.	Description	Qty
	A054B984	Kit, Extreme Cold Weather	
1	A052Y818	Heater, Battery	1
2	A053A347	Heater, Engine	1
3	0332-1794	Tie, Cable	8
4	A053Y969	Thermostat	1

Heater Kit

Item	Part No.	Description	Qty
	A058T622	Kit, Heater	
1	A057Z280	Heater	1
2	0332-1794	Tie, Cable	4

Preventive Maintenance Kit

Item	Part No.	Description	Qty
	A054H068	Kit, Preventive Maintenance	
1	A050X362	Filter, Oil	1
2	A051A078	Filter, Air	1
3	A050X455	Gasket, Valve Cover	2

Load Shed Kit

Item	Part No.	Description	Qty
	A051C329	Kit, Load Shed	

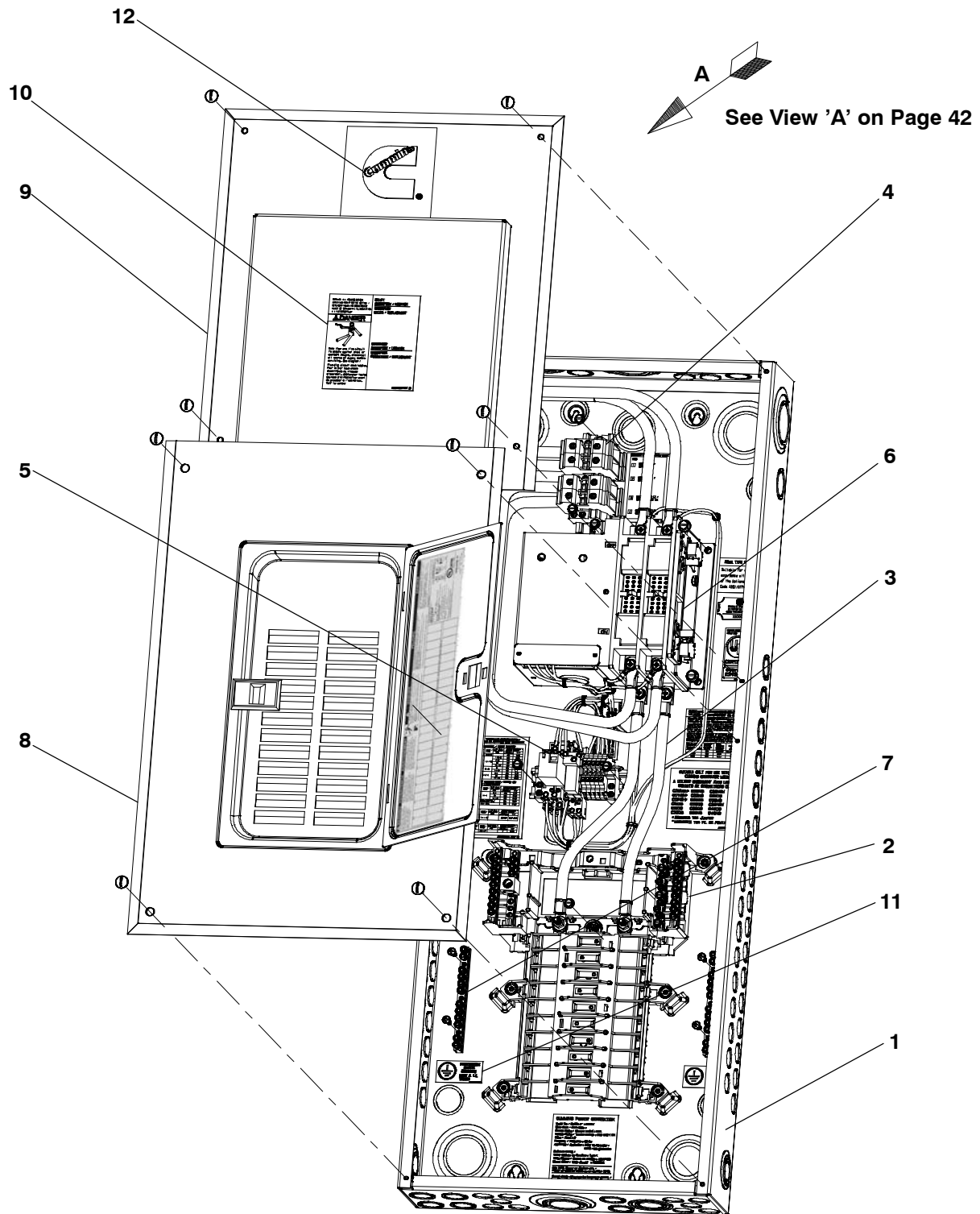
Remote Display Kit

Item	Part No.	Description	Qty
	A053K028	Kit, Remote Display	
1	A051K895	Cover	1
2	A052D408	Display, Control	1
3	A053N038	Harness, Remote	2

Battery

Item	Part No.	Description	Qty
1	A052Y816	Battery	

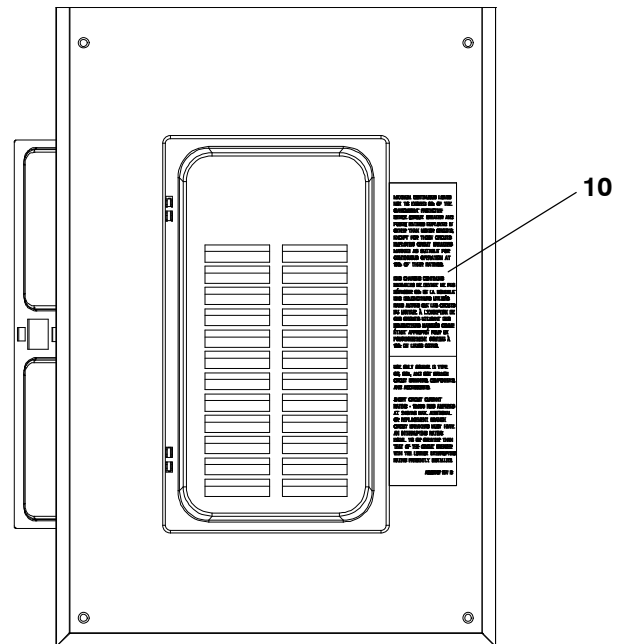
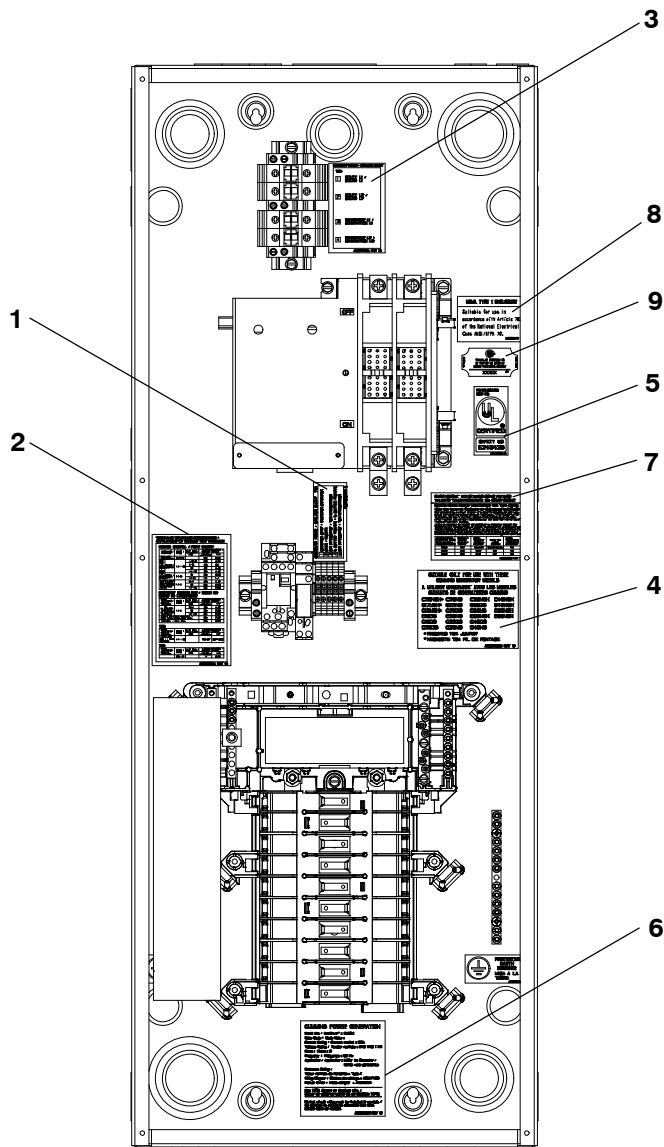
Transfer Switch Kit (Illustration #1)



Transfer Switch Kit (Illustration #1)

Item	Part No.	Description	Qty
	A051C991	Kit, Transfer Switch	
1	A053B090	Box, Circuit Breaker	1
2	A051X676	Panel, Circuit Breaker	1
3	A051X678	Harness	1
4	A051X682	Block, Terminal	1
5	A051X853	Module, Relay	1
6	0306-5191	Switch, Transfer	1
7	A051Y991	Bar, Ground	2
8	A051C973	Cover, Circuit Breaker Box	1
9	A053B094	Cover, Circuit Breaker Box	1
10	A052W552	Label, Danger	1
11	A053U379	Label, Ground	2
12	A056X636	Label, Logo	1
13	A056X636	Label, Logo	1

Transfer Switch Kit (Illustration #2)



View in Direction of Arrow 'A' on Page 40

Transfer Switch Kit (Illustration #2)

Item	Part No.	Description	Qty
	A051C991	Kit, Transfer Switch	
1	A052V343	Label, Information	1
2	A052W554	Label, Torque	1
3	A052W785	Label, Information	1
4	A052X353	Label, Information	1
5	A053F476	Label	1
6	A053G493	Label, Information	1
7	A053U381	Label, Information	1
8	A055X356	Label, Information	1
9	A056R258	Label, Certification	1
10	A056R702	Label, Information	1

This page is Intentionally blank.

Topical Index

A

Accessories, **38**
Actuator, **16**
Alternator, **19**
Arm, Rocker, **9**

B

Baffle, Breather, **13**
Bar, Ground, **41**
Base, Enclosure, **17**
Battery, **39**
Block, Alternator Brush, **19**
Block, Gen Brush, **19**
Block, Terminal, **19** , **38** , **41**
Boot, Battery, **37**
Box, Air, **13** , **15**
Box, Circuit Breaker, **29** , **41**
Breaker, Circuit, **29**
Bumper, **25**

C

Cap, Oil Fill, **9**
Card, Control, **27**
Charger, Battery, **9** , **32**
Chassis, **17**
Coil, Ignition, **9**
Cooler, Oil, **9**
Cover, Access, **21**
Cover, Circuit Breaker Box, **41**

D

Dipstick, **9**
Display, Control, **21** , **39**
Duct, Air, **22**

E

Edging, **21** , **22**
Enclosure, **21** , **22** , **25** , **26**
Engine, **8** , **9**
Engine Accessories, **8**

F

Fan, **30**
Filter, Air, **15** , **39**
Filter, Oil, **39**
Flywheel, **9**
Fuel Supply, **12** , **13** , **15**

G

Gasket, Air Filter, **13**
Gasket, Cylinder Head, **9**
Gasket, Valve Cover, **39**
Generator, **19**
Governor, **16**
Grill, Enclosure, **26**
Grommet, **21**

H

Harness, Generator Set, **35**
Harness, Remote, **39**
Head, Cylinder, **9**
Heater, **39**
Heater, Battery, **39**
Heater, Engine, **39**
Heater, Flexible (Pressure Regulator), **12**
Heater, Generator, **19**
Hinge, **25**

I

Insulation, Panel, **25**
Isolator, Vibration, **17**

Index (Continued)

K

Key, **26**
Kit, Extreme Cold Weather, **39**
Kit, Heater, **39**
Kit, Load Shed, **39**
Kit, Preventive Maintenance, **39**
Kit, Remote Display, **39**
Kit, Transfer Switch, **41** , **43**
Kits, Accessory, **39**

L

Labels, **6**
Latch, **26**
Lead, Battery, **37**
Leads, **37**
Linkage, Governor, **16**
Lug, Terminal, **22** , **29**

M

Manifold, Exhaust, **11**
Manifold, Intake, **13**
Module, Relay, **41**

P

Paint and Thread Sealant, **7**
Panel, **21** , **22**
Panel, Circuit Breaker, **41**
Panel, Circuit Breaker Box, **38**
Panel, Control, **27**
Plug, Spark, **9**

R

Regulator, Pressure, **12**
Regulator, Voltage, **9**
Retainer, Insulation, **25**
Rod, Push, **9**
Rod, Threaded, **19**
Roof, Enclosure, **25**
RTV, Silicone, **21**

S

Seal, **21**
Seal, O Ring, **19**
Silencer, **10**
Spacer, **22**
Spring, **19**
Starter, **9**
Strap, Electrical, **37**
Switch, Oil Pressure, **9**
Switch, Transfer, **41**

T

Thermostat, **39**
Transformer, Current, **35**
Tray, Battery, **31**

V

Valve, Fuel, **12**
Valve, Solenoid, **12**

Numerical Index

<u>Part No.</u>	<u>Page</u>	<u>Part No.</u>	<u>Page</u>	<u>Part No.</u>	<u>Page</u>	<u>Part No.</u>	<u>Page</u>
0187-5128, 10		0526-0399-60, 37		A046W954, 25		A051Y492, 13	
0212-1275, 19		0526-2140, 38		A046Z638, 19		A051Y991, 41	
0212-1276-03, 19		0800-2057, 37		A048G917, 6		A052C370, 19	
0212-1286, 19		0815-0578, 10		A048G921, 6		A052D408, 21 , 39	
0306-5191, 41		0815-0857-02, 29		A049F902, 35		A052D992, 21	
0320-2006-02, 29		0815-0857-03, 13 , 16		A049V296, 11		A052F912, 15	
0323-1491, 35		0815-0941-03, 12 , 21 , 22 , 25 , 26 , 27 , 31		A049Y788, 19		A052G373, 11	
0323-1591, 35		0815-0941-04, 22		A049Y791, 19		A052J269, 12	
0323-1614-01, 35		0819-1165-02, 27		A050B086, 7		A052J546, 16	
0323-1615, 35		0821-2032, 19		A050B662, 19		A052K310, 13	
0323-1819-01, 35		0823-0001-01, 21		A050B664, 19		A052K315, 15	
0323-2011, 35		0853-2008, 37		A050D972, 19		A052P052, 25	
0323-2396, 35		0862-0026-56, 19		A050D974, 19		A052P057, 25	
0323-2466, 35		0870-2025, 13		A050L009, 8		A052P071, 26	
0332-1048, 35		0870-2065-02, 25 , 37		A050L013, 30		A052P075, 25	
0332-1794, 26 , 39		0870-2159, 17		A050T690, 27		A052P089, 17	
0332-1992, 35		0870-2193-04, 11 , 15		A050U655, 12		A052R160, 21	
0332-1993, 35		0898-1195-02, 37		A050X362, 7 , 39		A052R164, 22	
0332-2112-01, 37		0898-1337-03, 35		A050X455, 39		A052R166, 21	
0332-2430, 35		A026E601, 12		A051A054, 13		A052R168, 21	
0332-2431, 16		A026H651, 25 , 26		A051A062, 13		A052R170, 22	
0332-3196, 22		A028X144, 35		A051A072, 13		A052R172, 21	
0332-3388, 35		A029J996, 19		A051A074, 15		A052R174, 21	
0332-3491-01, 35		A034N106, 38		A051A078, 7 , 15 , 39		A052T145, 21	
0334-0761, 29		A034P713, 35		A051A232, 12		A052T147, 21	
0334-0933, 37		A041G806, 9		A051A692, 21		A052T149, 22	
0337-3467, 37		A041H307, 29 , 32		A051B377, 22 , 29		A052T723, 17	
0416-1019, 37		A042N319, 35		A051C329, 39		A052U003, 21	
0505-0037, 12		A042Y727, 38		A051C362, 38		A052U308, 25	
0505-0084, 12		A043G324, 26		A051C569, 15		A052U326, 25	
0505-0332, 12		A043J735, 7		A051C973, 41		A052U335, 25	
0508-1105, 37		A044C288, 6 , 26		A051C991, 41 , 43		A052V343, 43	
0509-0196, 19		A044D694, 19		A051K895, 39		A052W552, 41	
0517-0138-04, 38		A044F269, 22		A051L324, 13		A052W554, 43	
0518-0391, 7		A044F378, 25		A051N725, 38		A052W785, 43	
0518-0685, 21		A044H599, 29		A051N766, 29		A052W807, 21 , 22	
0525-0305, 7		A044L228, 25		A051X259, 26		A052X019, 13	
0526-0113, 17		A044M619, 6		A051X676, 41		A052X302, 19	
0526-0174, 19		A044Y564, 6		A051X678, 41		A052X353, 43	
0526-0399-44, 30		A046D267, 35		A051X682, 41		A052X717, 26	
0526-0399-58, 37				A051X853, 41		A052Y175, 12	

Numerical Index (Continued)

<u>Part No.</u>	<u>Page</u>	<u>Part No.</u>	<u>Page</u>	<u>Part No.</u>	<u>Page</u>	<u>Part No.</u>	<u>Page</u>
A052Y818, 39		A053F476, 43		A054P825, 25		A054Z638, 9	
A052Y993, 31		A053G493, 43		A054R413, 32		A054Z639, 9	
A052Z191, 13		A053J313, 22		A054V783, 6		A054Z640, 9	
A052Z193, 15		A053J575, 37		A054V975, 6		A054Z641, 9	
A052Z409, 27		A053J577, 37		A054X930, 30		A055K329, 13	
A052Z423, 16		A053K028, 39		A054Z620, 9		A055X356, 43	
A052Z425, 16		A053K278, 29		A054Z621, 9		A055X512, 16	
A052Z429, 13		A053N038, 39		A054Z623, 9		A056R258, 43	
A053A320, 12		A053S626, 19		A054Z625, 9		A056R702, 43	
A053A324, 8		A053U379, 41		A054Z627, 9		A056X636, 41	
A053A326, 15		A053U381, 43		A054Z629, 9		A057E896, 12	
A053A347, 39		A053Y197, 21		A054Z630, 9		A057E899, 12	
A053A380, 19		A053Y969, 39		A054Z631, 9		A057S041, 12	
A053B090, 41		A054A071, 22		A054Z632, 9		A057Z280, 12 , 39	
A053B094, 41		A054B984, 39		A054Z634, 9		A058T622, 39	
A053B731, 15		A054D969, 22		A054Z635, 9			
A053B918, 10		A054H068, 39		A054Z636, 9			
A053C985, 12		A054P823, 25		A054Z637, 9			

power.cummins.com

Copyright © 2018 Cummins Inc. All rights reserved.

Cummins, the "C" logo, PowerCommand, AmpSentry, and InPower are trademarks of Cummins Inc.

Other company, product, or service names may be trademarks or service marks of others.

Specifications are subject to change without notice.

